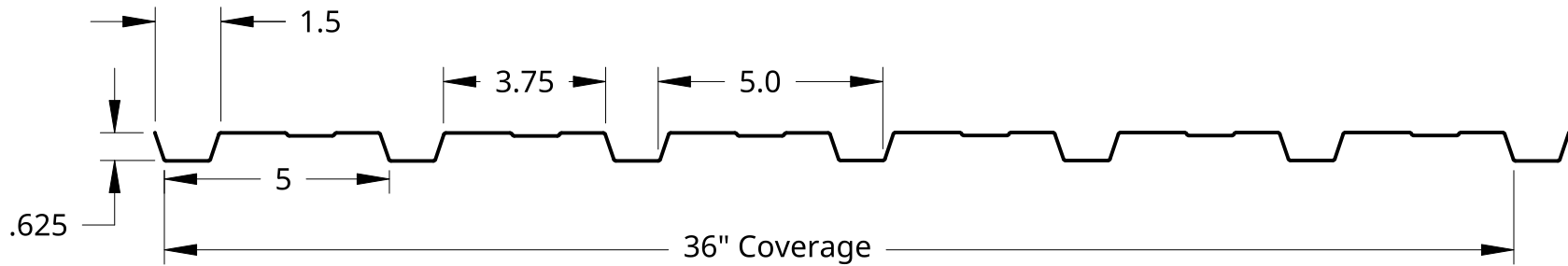
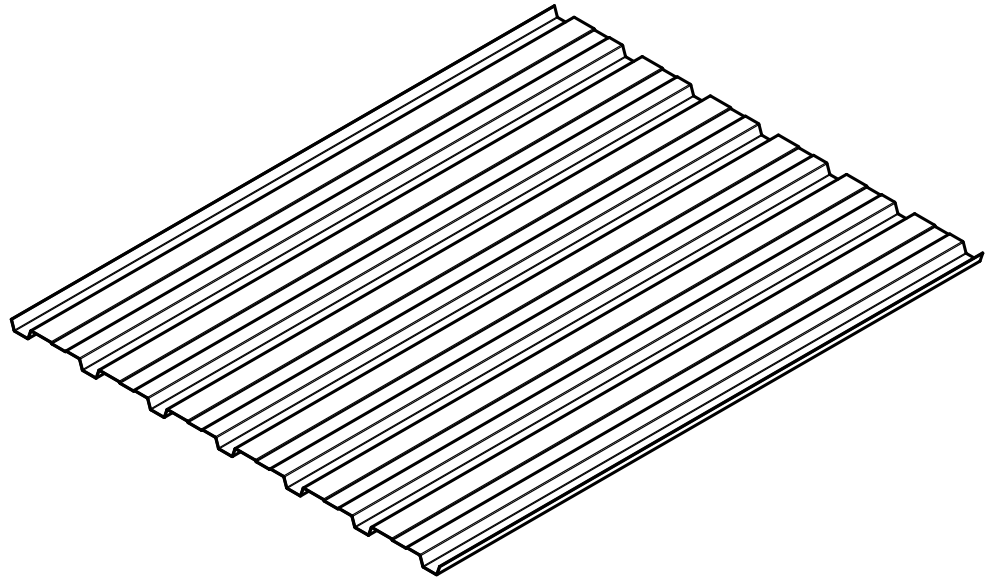


RDR Panel



UNLESS OTHERWISE SPECIFIED, DIMENSIONS ARE IN INCHES .XX = ±.0- .XXX = ±.00- .XXXX = ±.000- SURFACE FINISH	DRAWN	NAME	DATE		
	CHECKED	HENRY FEHR	08/26/2021		
	APPROVED			SIZE	DWG NO.
	DO NOT SCALE DRAWING BREAK ALL SHARP EDGES AND REMOVE BURRS THIRD ANGLE PROJECTION 	MATERIAL	FINISH	SCALE	WEIGHT
			1:4		1 of 1