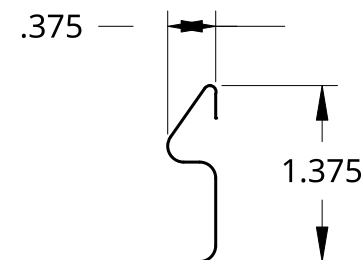
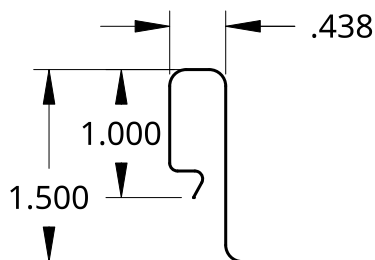
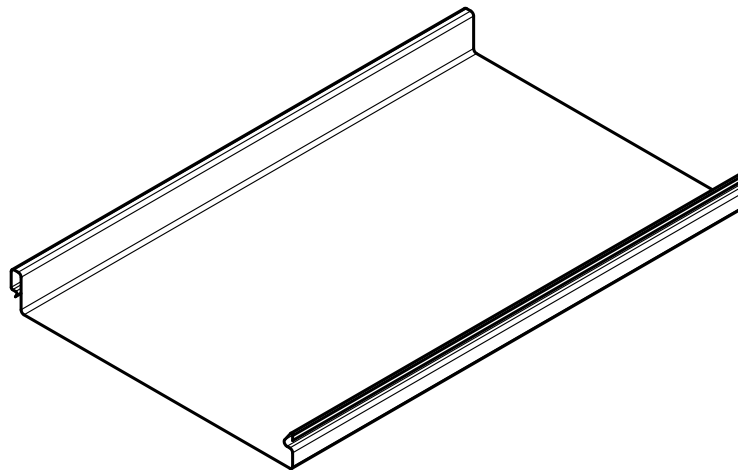
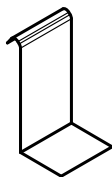


2

1



16.125" Coverage

UNLESS OTHERWISE SPECIFIED,
DIMENSIONS ARE IN INCHES
.XX = ±.0-
.XXX = ±.00-
.XXXX = ±.000-
SURFACE FINISH

DO NOT SCALE DRAWING
BREAK ALL SHARP EDGES AND
REMOVE BURRS

THIRD ANGLE PROJECTION

	NAME	DATE
DRAWN	HENRY FEHR	08/17/2021
CHECKED		
APPROVED		
MATERIAL	FINISH	



TITLE		
SS 550		
SIZE	DWG NO.	REV.
A		
SCALE	WEIGHT	SHEET
1:6		1 of 1

2

1

B

B

A

A