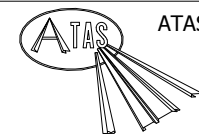


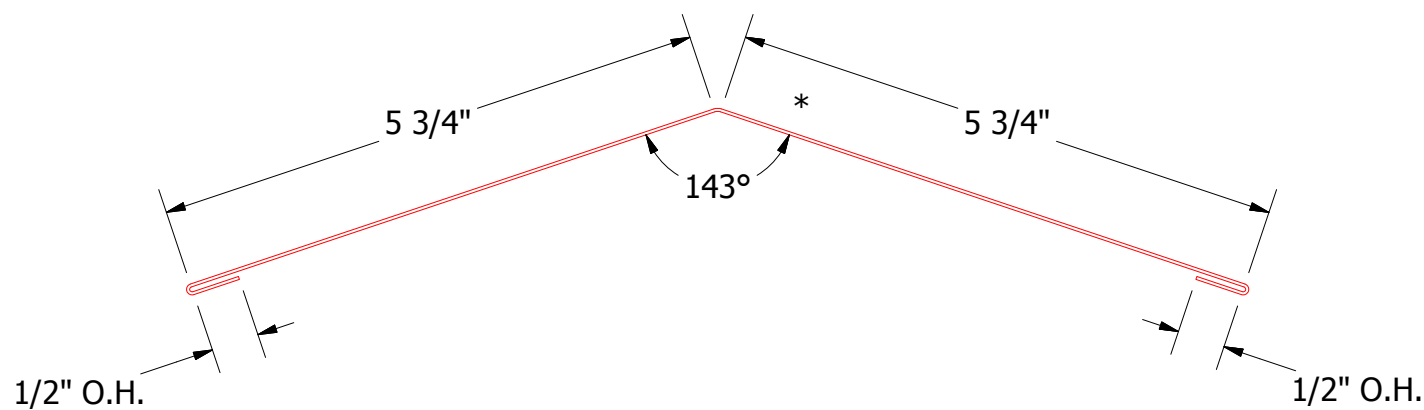
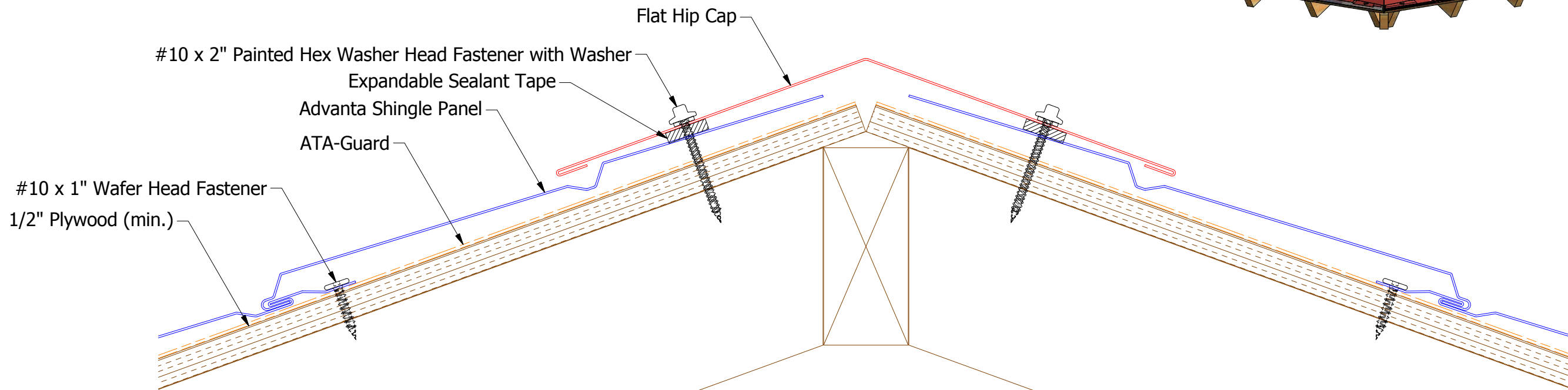
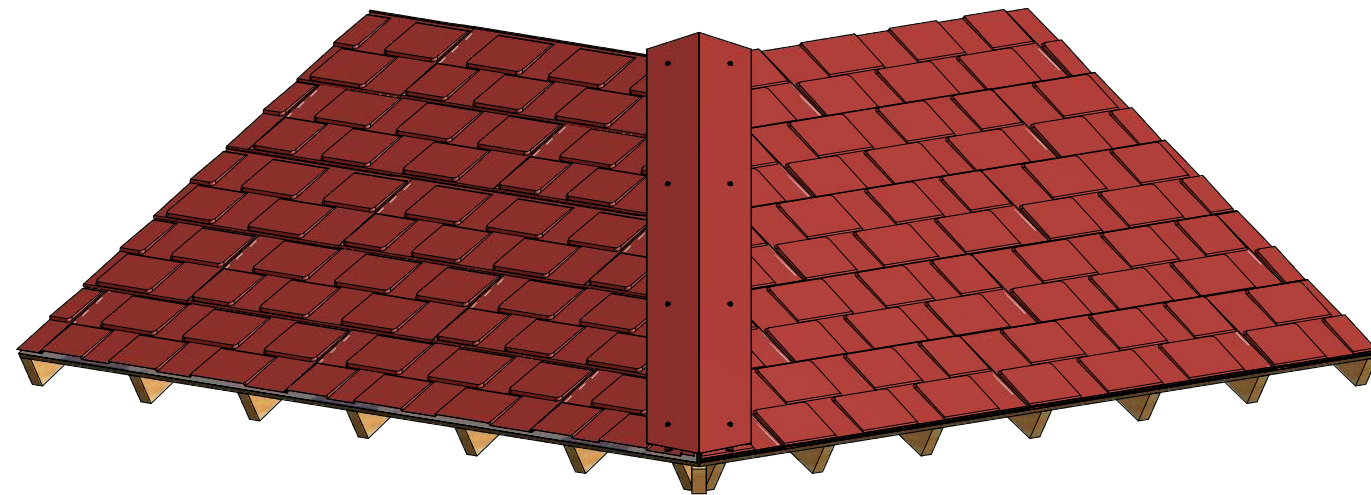
HSA114-Drip Edge

Note: * denotes color side



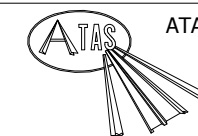
ATAS INTERNATIONAL, INC
 Allentown PA
 610-395-8445
 Mesa AZ
 480-558-7210

TITLE				Advanta Shingle Eave Detail	
DWG. NO.		DR		DATE	
		DMR		4/9/2018	
MATERIAL		APP		DATE	
		SH. SIZE		SCALE	
		B		X:X	
REV. NO.	DATE	DESCRIPTION OF REVISION	BY	APP	



HSA304 - Flat Hip Cap

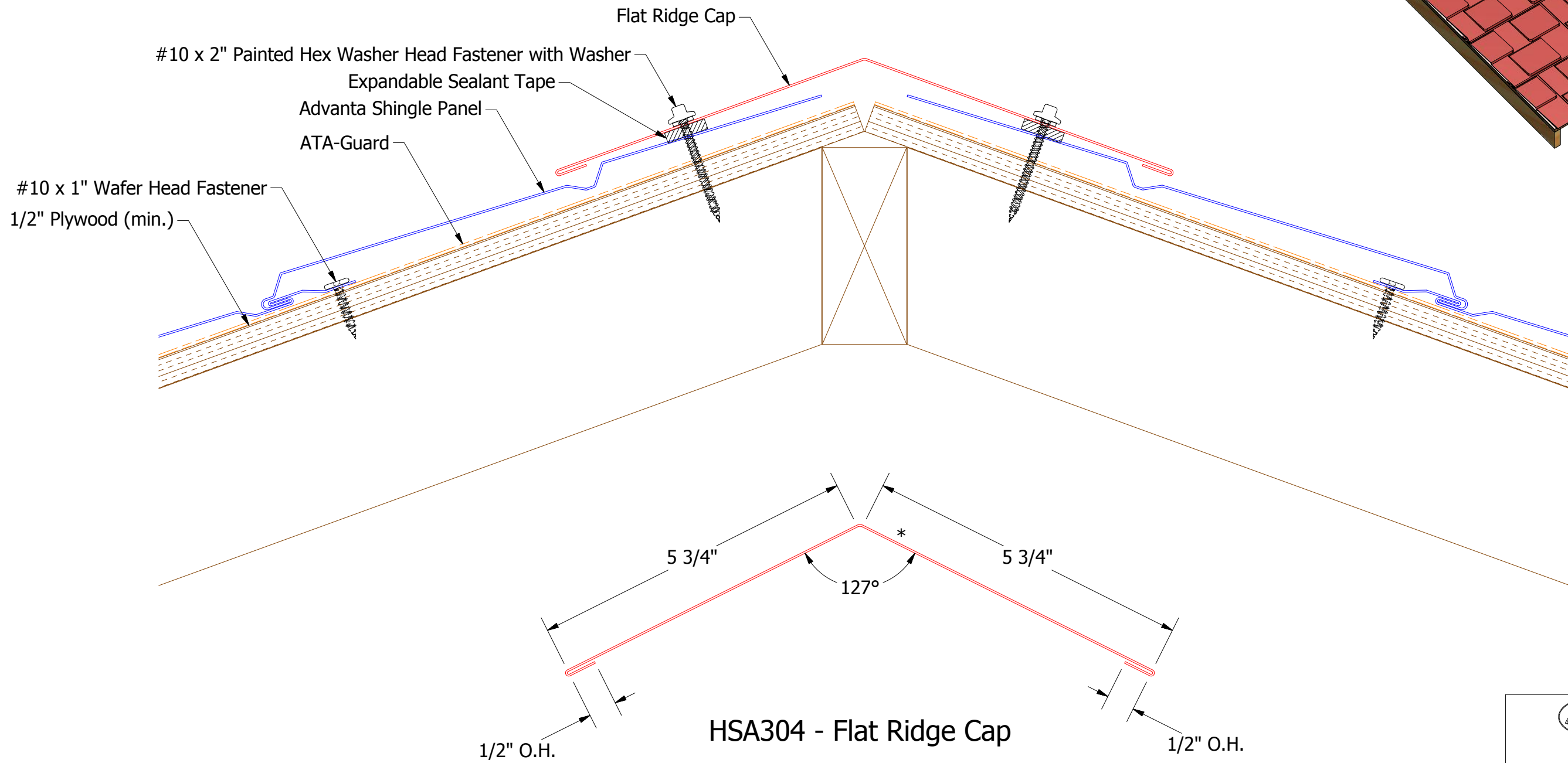
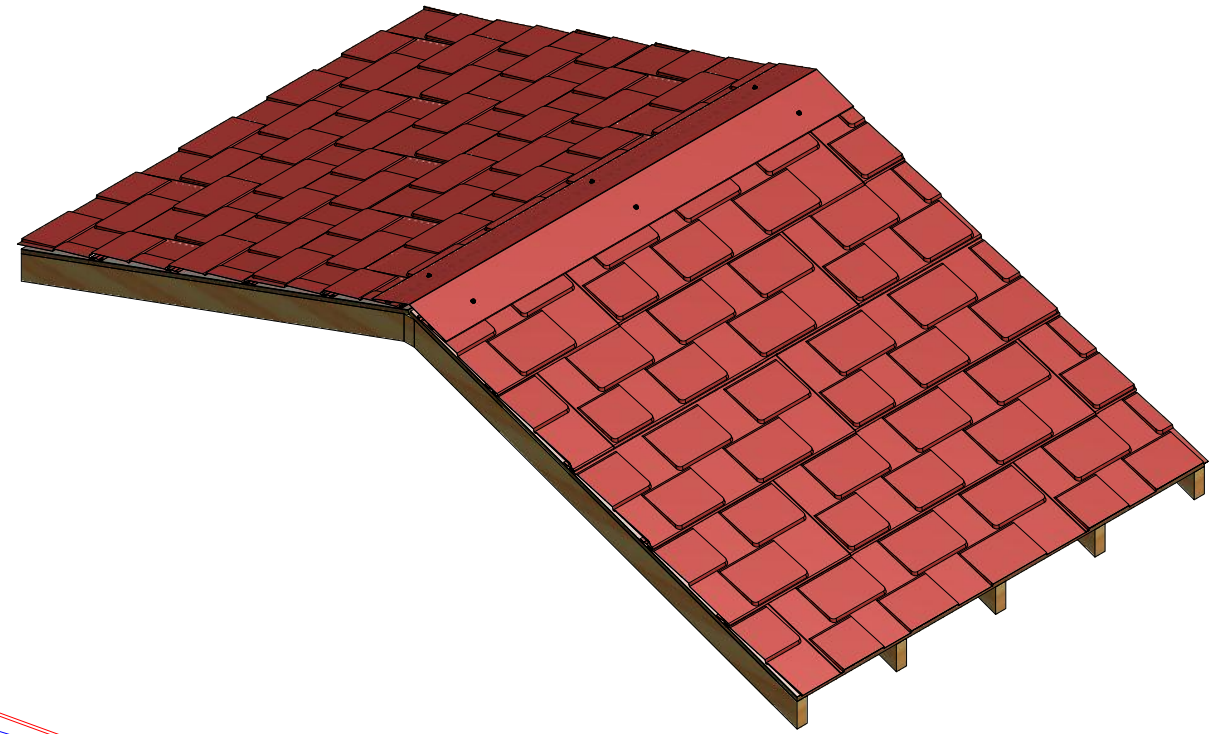
Note: * denotes color side.



ATAS INTERNATIONAL, INC
 Allentown PA
 610-395-8445
 Mesa AZ
 480-558-7210

TITLE Advanta Shingle Flat Hip Detail

REV. NO.	DATE	DESCRIPTION OF REVISION	BY	APP	DWG. NO.	DR	KRK	DATE	4/9/2018
						APP		DATE	
					MATERIAL	SH. SIZE	B	SCALE	X:X



#10 x 1" Wafer Head Fastener
1/2" Plywood (min.)

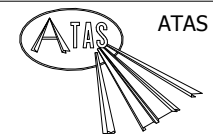
#10 x 2" Painted Hex Washer Head Fastener with Washer
Expandable Sealant Tape
Advanta Shingle Panel
ATA-Guard

Flat Ridge Cap

1/2" O.H.

HSA304 - Flat Ridge Cap

1/2" O.H.



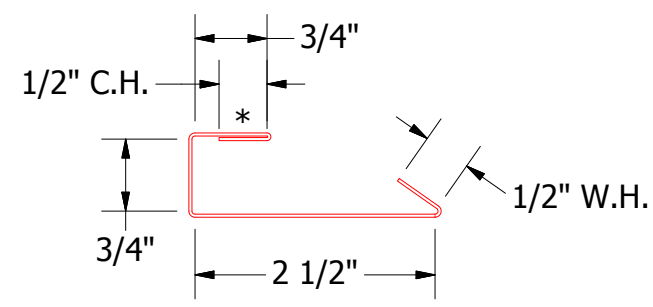
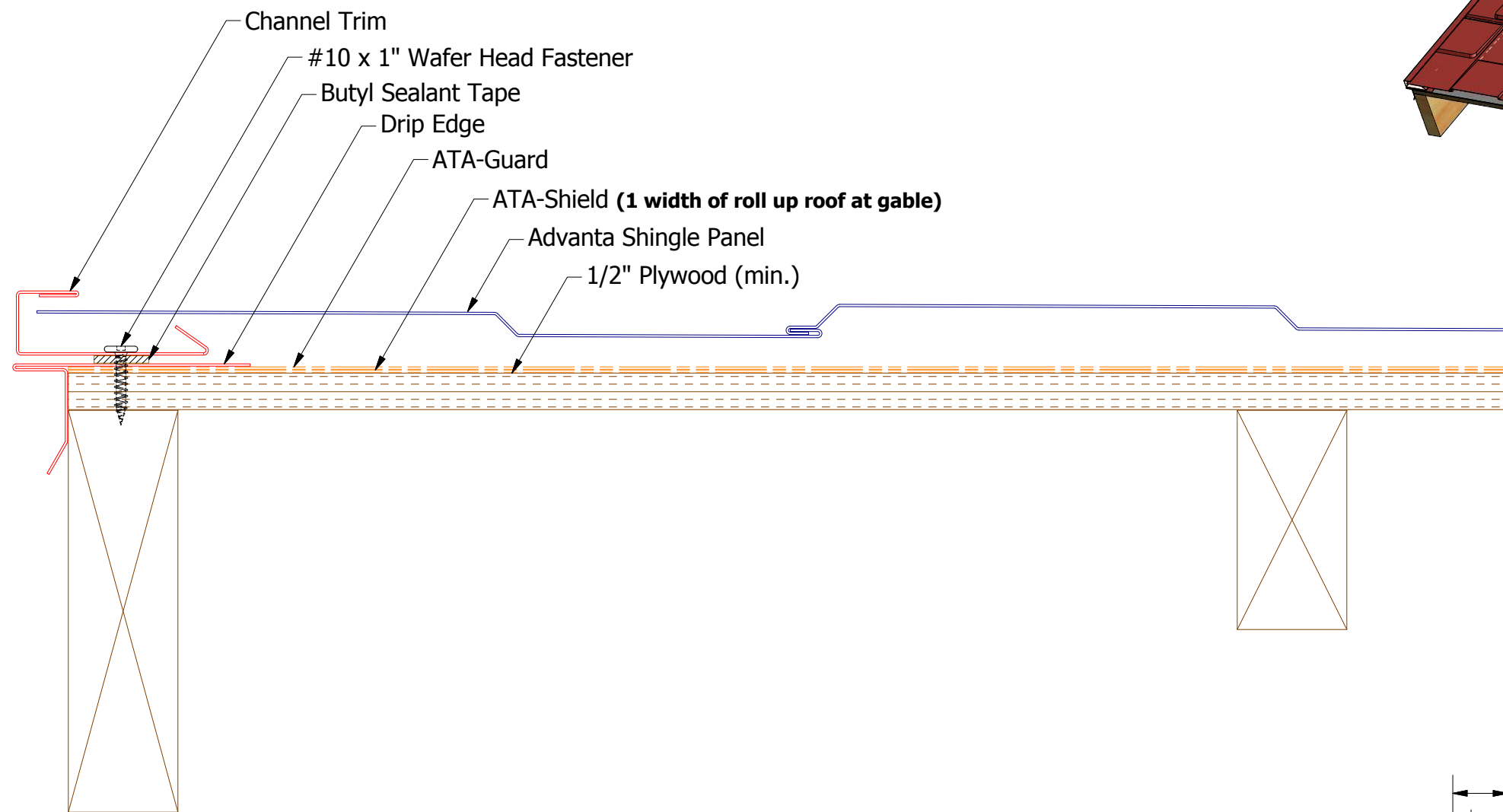
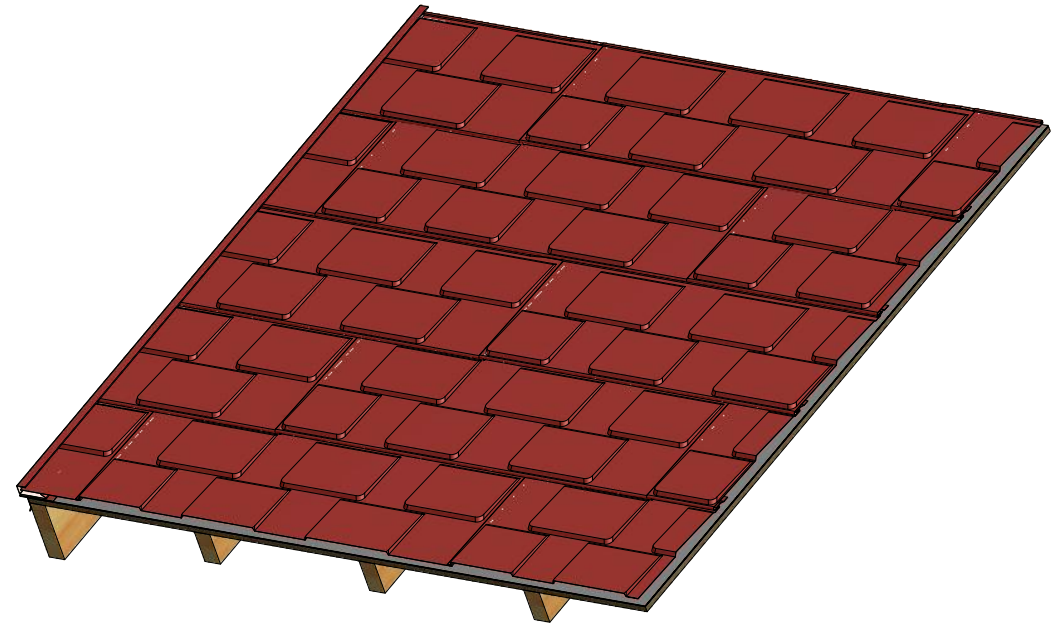
ATAS INTERNATIONAL, INC
Allentown PA
610-395-8445
Mesa AZ
480-558-7210

TITLE Advanta Shingle Flat Ridge Detail

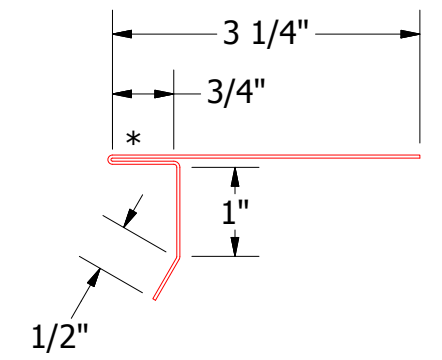
DWG. NO.	DR	DATE
	KRK	4/9/2018
MATERIAL	APP	DATE
SH. SIZE	B	SCALE
		X:X

REV. NO.	DATE	DESCRIPTION OF REVISION	BY	APP

Note: * denotes color side.



HSA201-Channel Trim



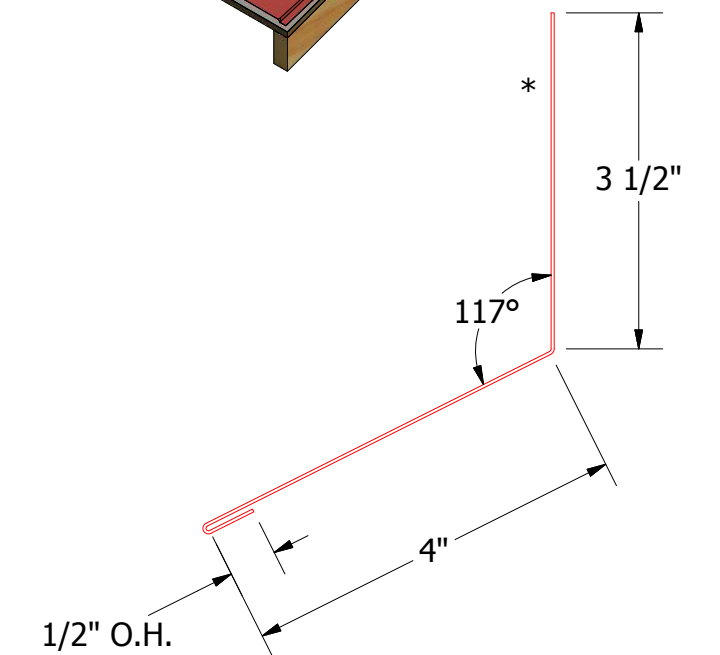
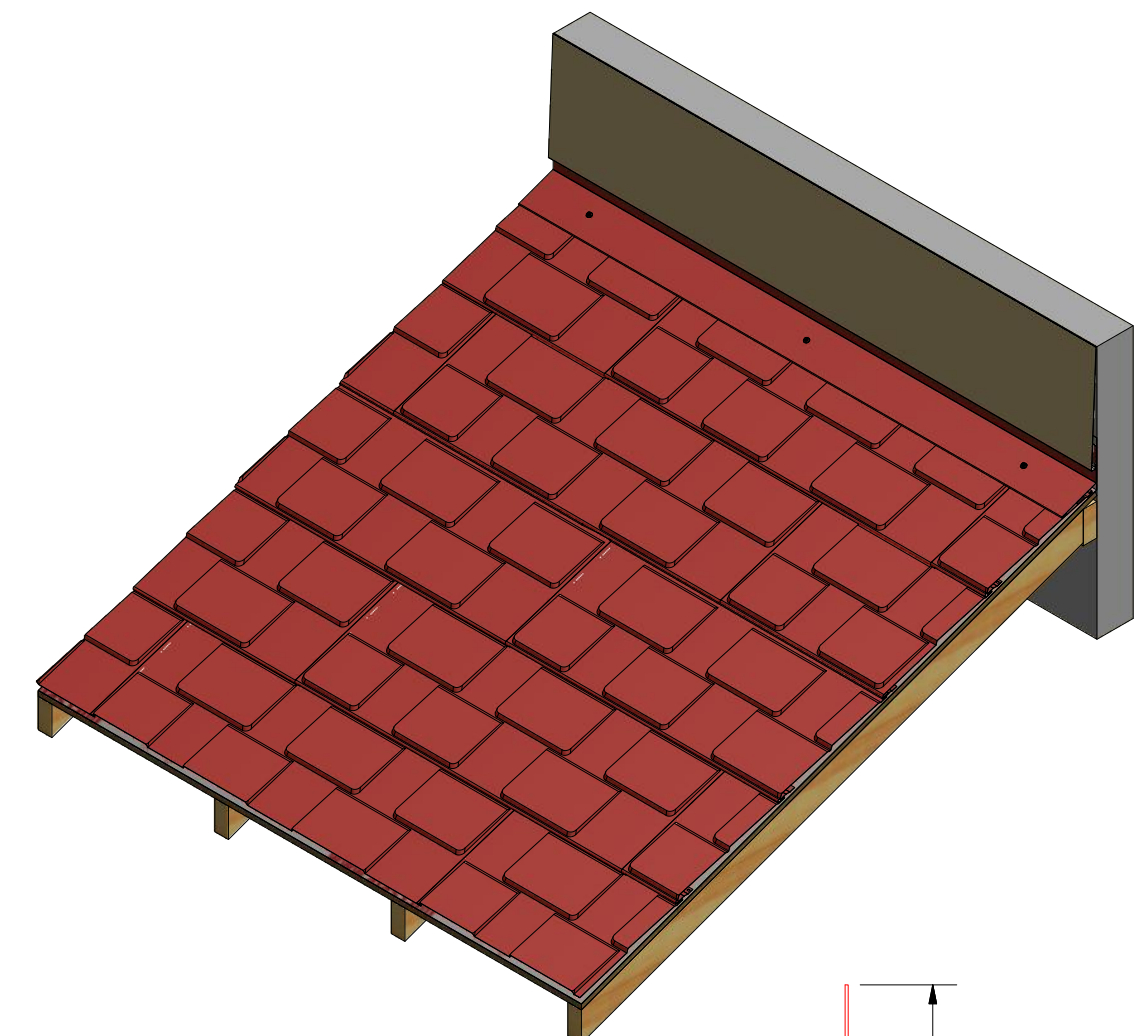
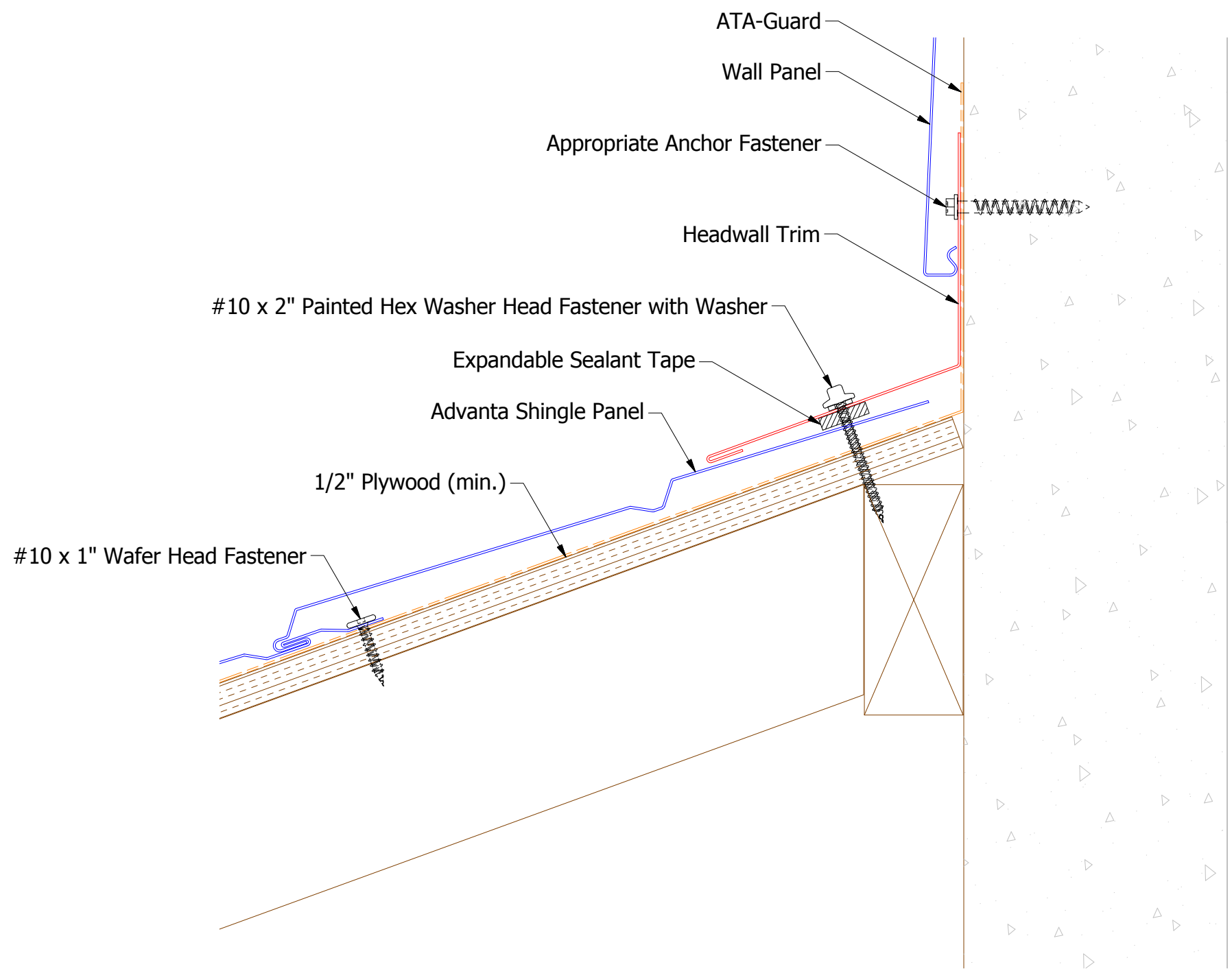
HSA114-Drip Edge

ATAS ATAS INTERNATIONAL, INC
 Allentown PA
 610-395-8445
 Mesa AZ
 480-558-7210

TITLE Advanta Shingle Gable Detail		
DWG. NO.	DR KRK	DATE 4/10/2018
MATERIAL	APP	DATE
REV. NO.	SH. SIZE B	SCALE X:X

Note: * denotes color side.

REV. NO.	DATE	DESCRIPTION OF REVISION	BY	APP



HSA500 - Headwall Trim

ATAS
 ATAS INTERNATIONAL, INC
 Allentown PA
 610-395-8445
 Mesa AZ
 480-558-7210

TITLE Advanta Shingle Headwall Detail

REV. NO.	DATE	DESCRIPTION OF REVISION	BY	APP	DWG. NO.	DR	DATE
						KRK	4/10/2018
					MATERIAL	APP	DATE
					SH. SIZE	B	SCALE X:X

Note: * denotes color side.

Ridge

Full 3'-0" Panel

1'-0" Panel

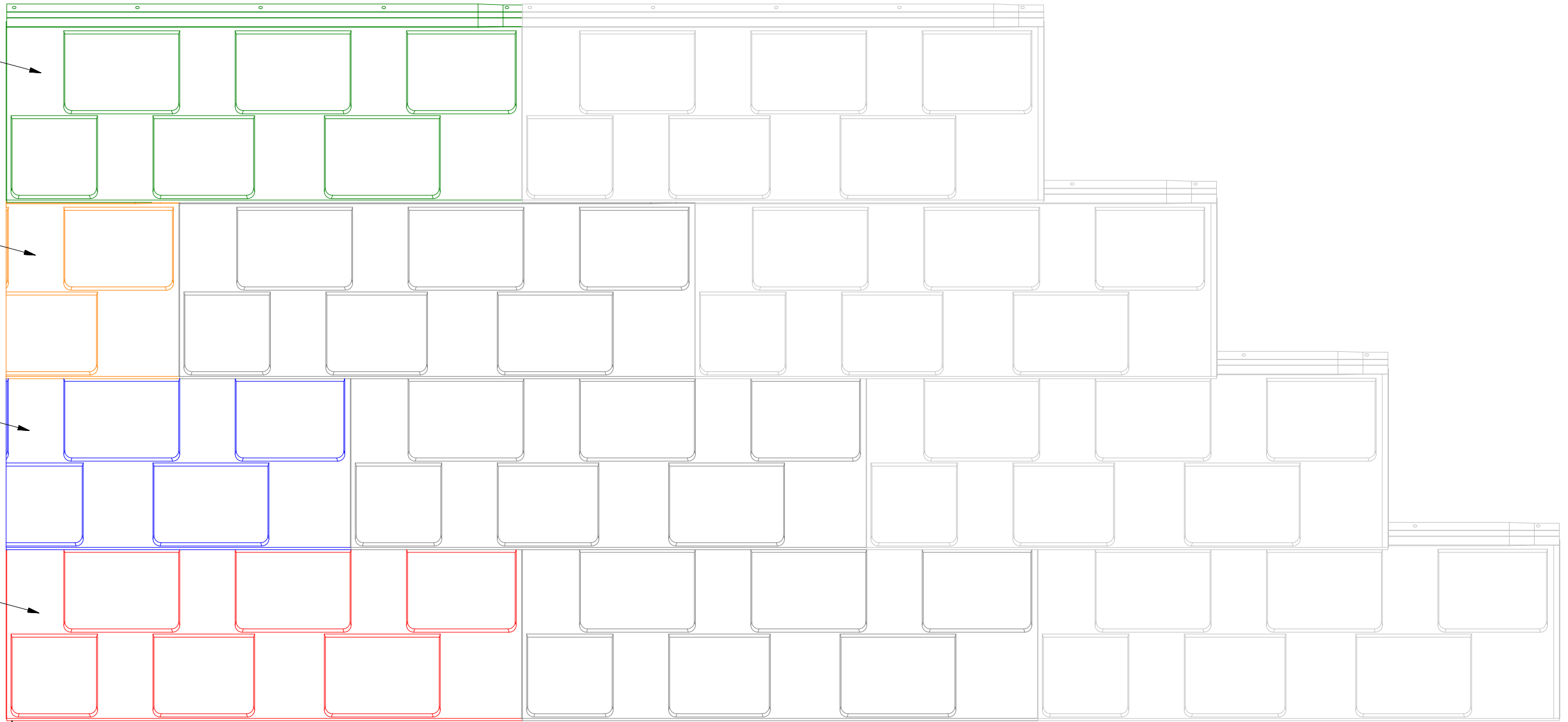
2'-0" Panel

Full 3'-0" Panel

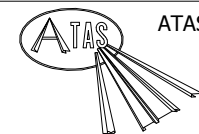
Gable

Notch 3 1/4" from Panel Hem at Eave to Gable Transition to allow for proper drainage

Eave



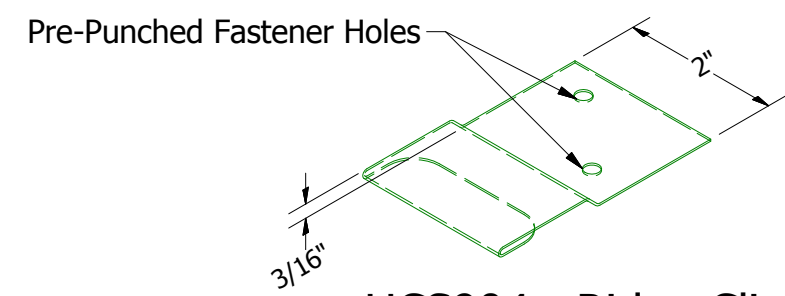
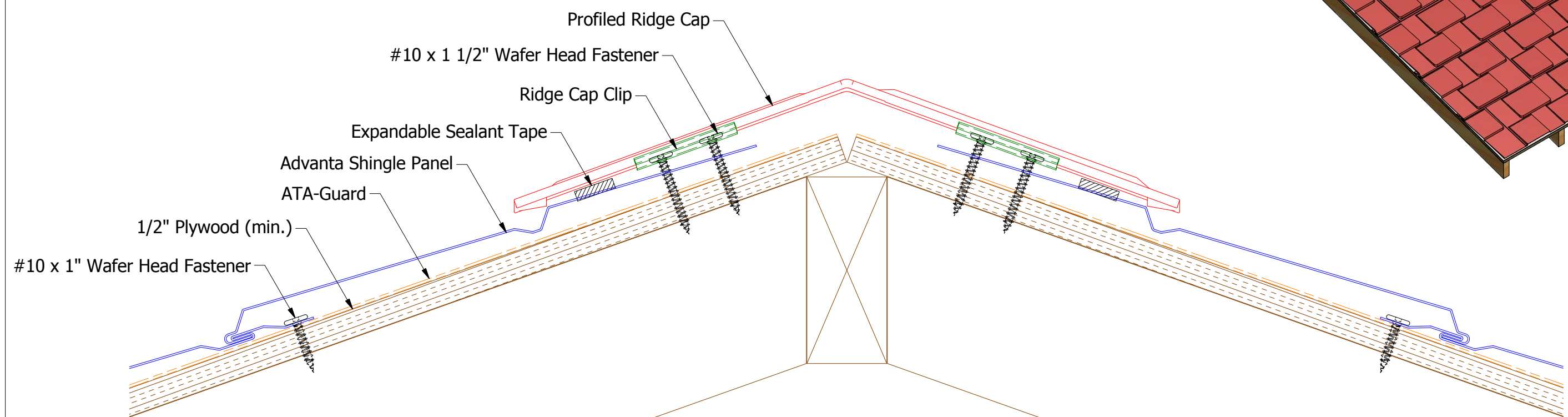
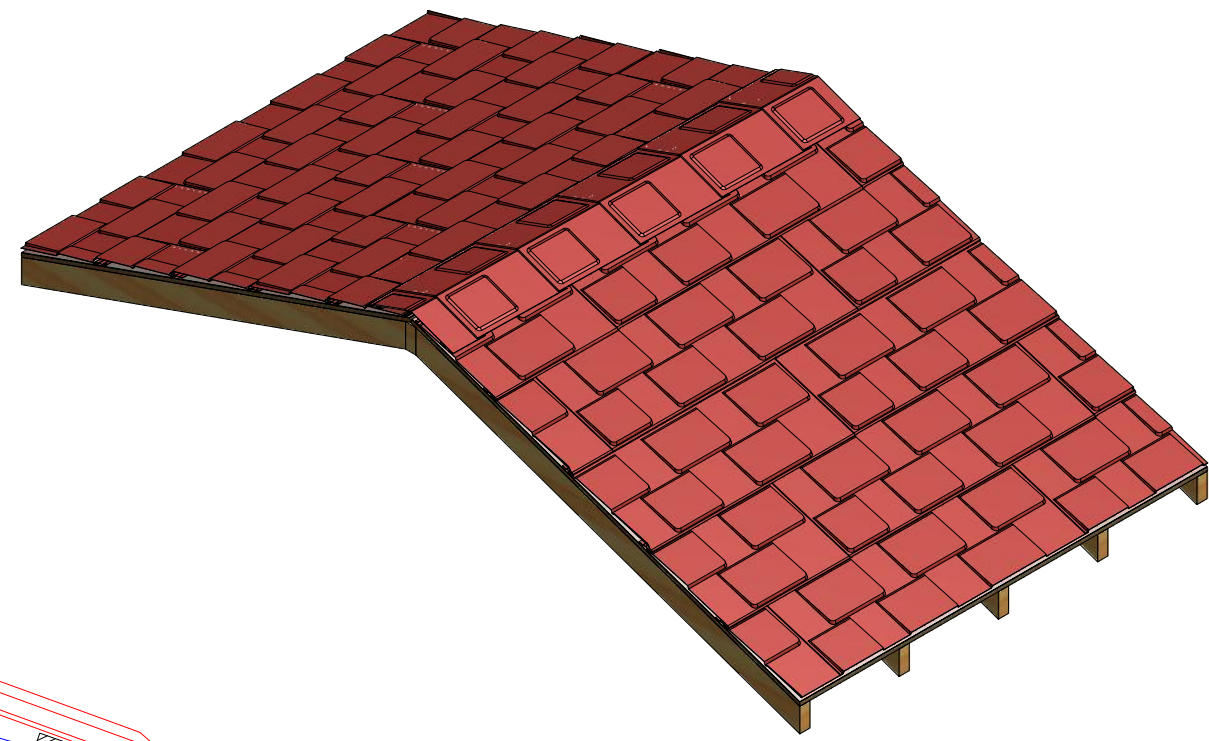
Note: Advanta Shingles are installed Eave to Ridge and Left to Right



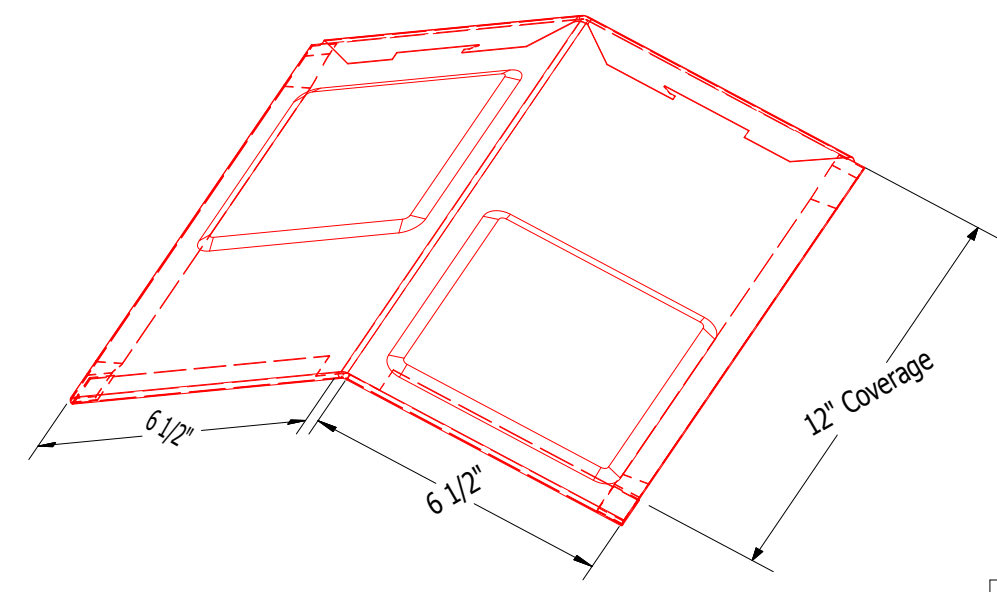
ATAS INTERNATIONAL, INC
 Allentown PA
 610-395-8445
 Mesa AZ
 480-558-7210

TITLE			
Advanta Shingle Panel Installation Detail			
DWG. NO.	DR	DATE	
	KRK	4/10/2018	
MATERIAL	APP	DATE	
SH. SIZE	B	SCALE	X:X

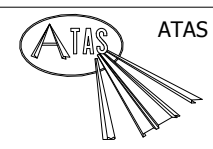
REV. NO.	DATE	DESCRIPTION OF REVISION	BY	APP



HCS904 - Ridge Clip



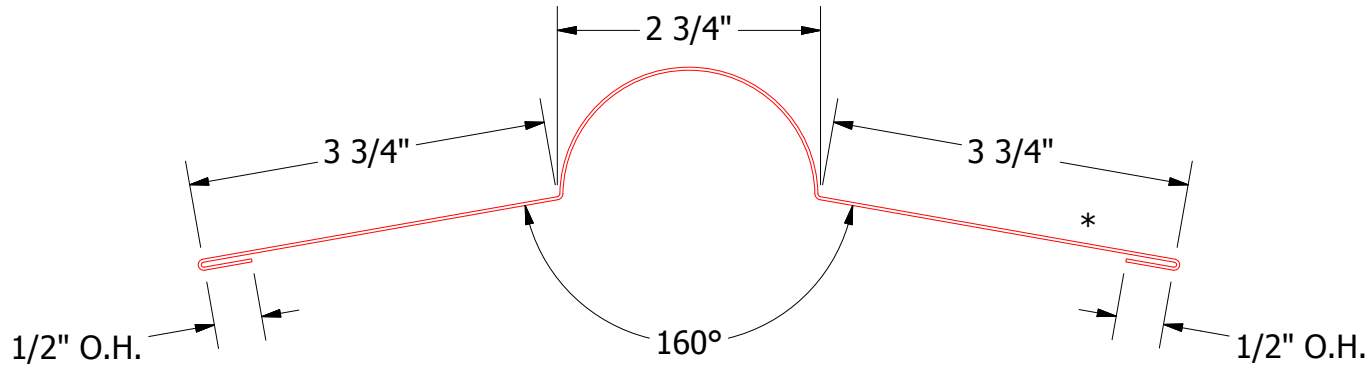
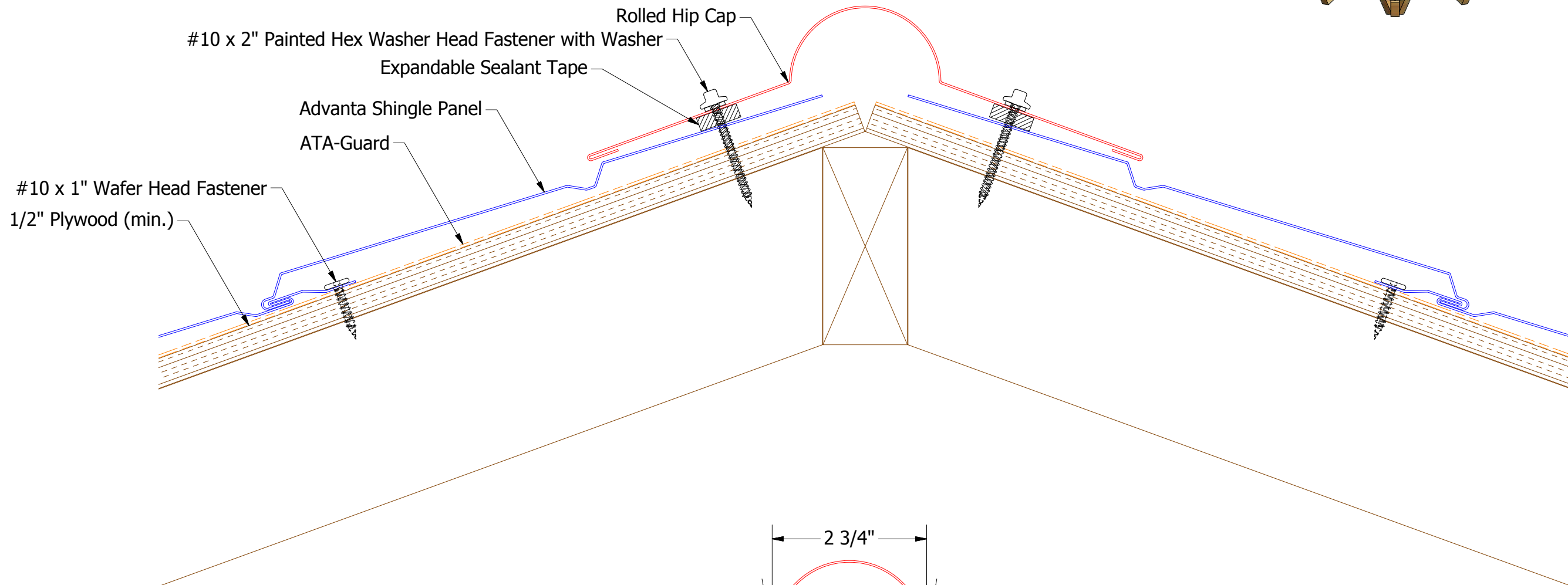
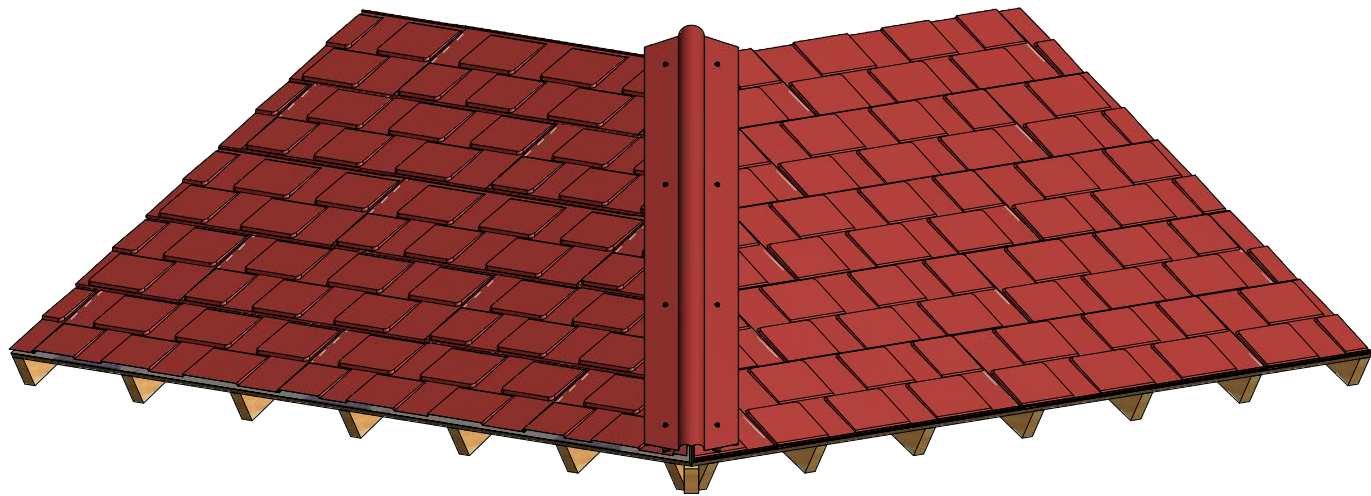
HSA307 - Profiled Ridge Cap



ATAS INTERNATIONAL, INC
 Allentown PA
 610-395-8445
 Mesa AZ
 480-558-7210

TITLE
Advanta Shingle Profiled Ridge Detail

REV. NO.	DATE	DESCRIPTION OF REVISION	BY	APP	DWG. NO.	DR	KRK	DATE	4/10/2018
						APP		DATE	
					MATERIAL	SH. SIZE	B	SCALE	X:X

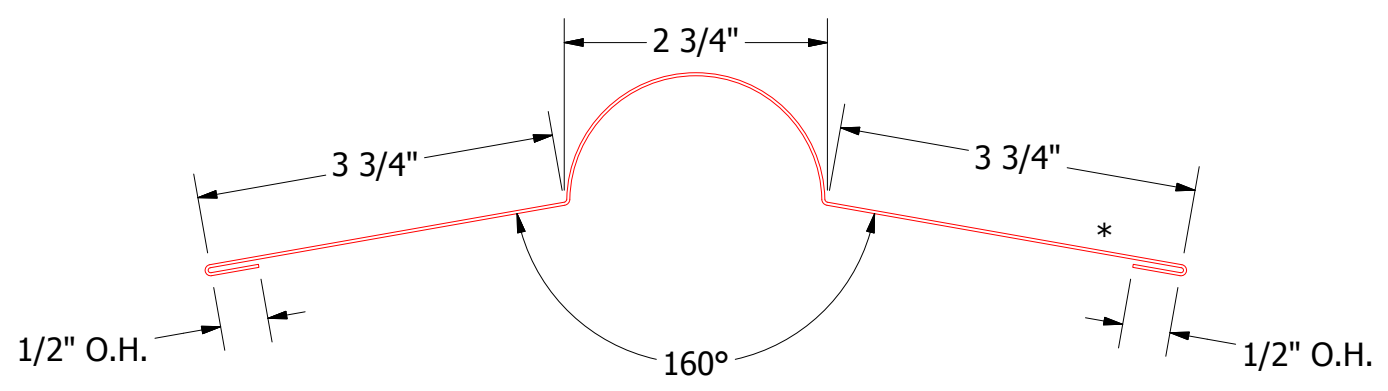
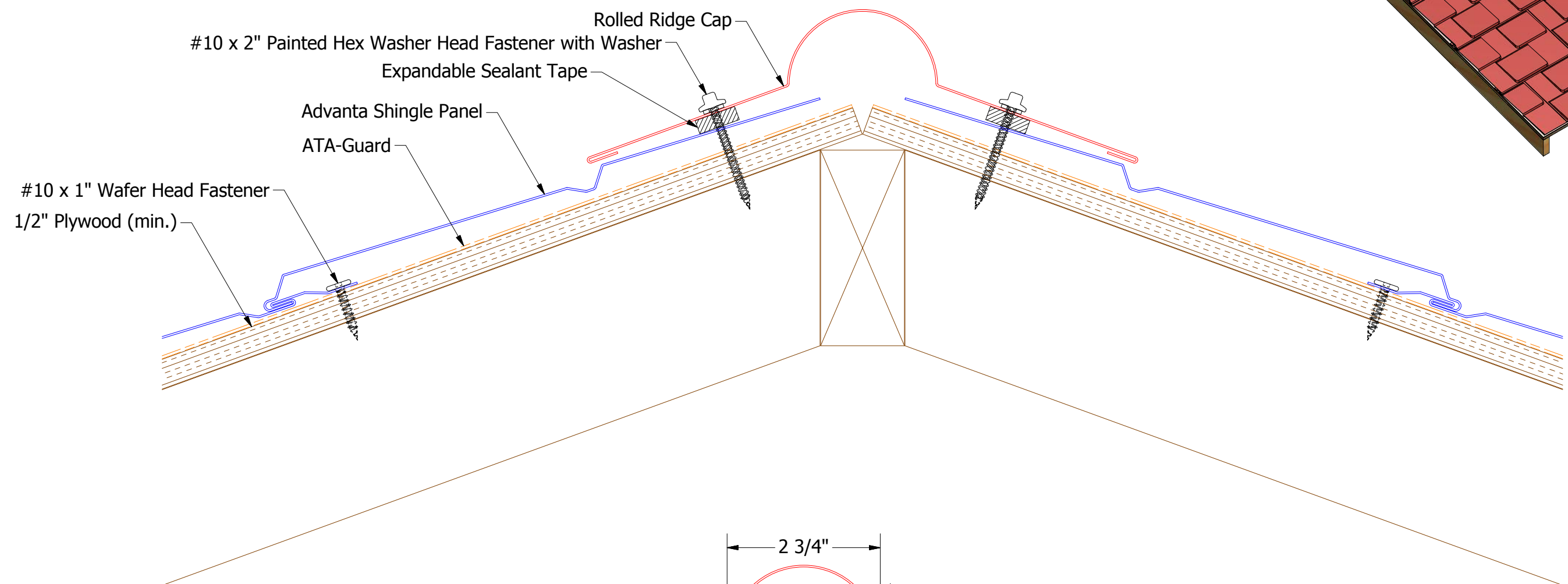
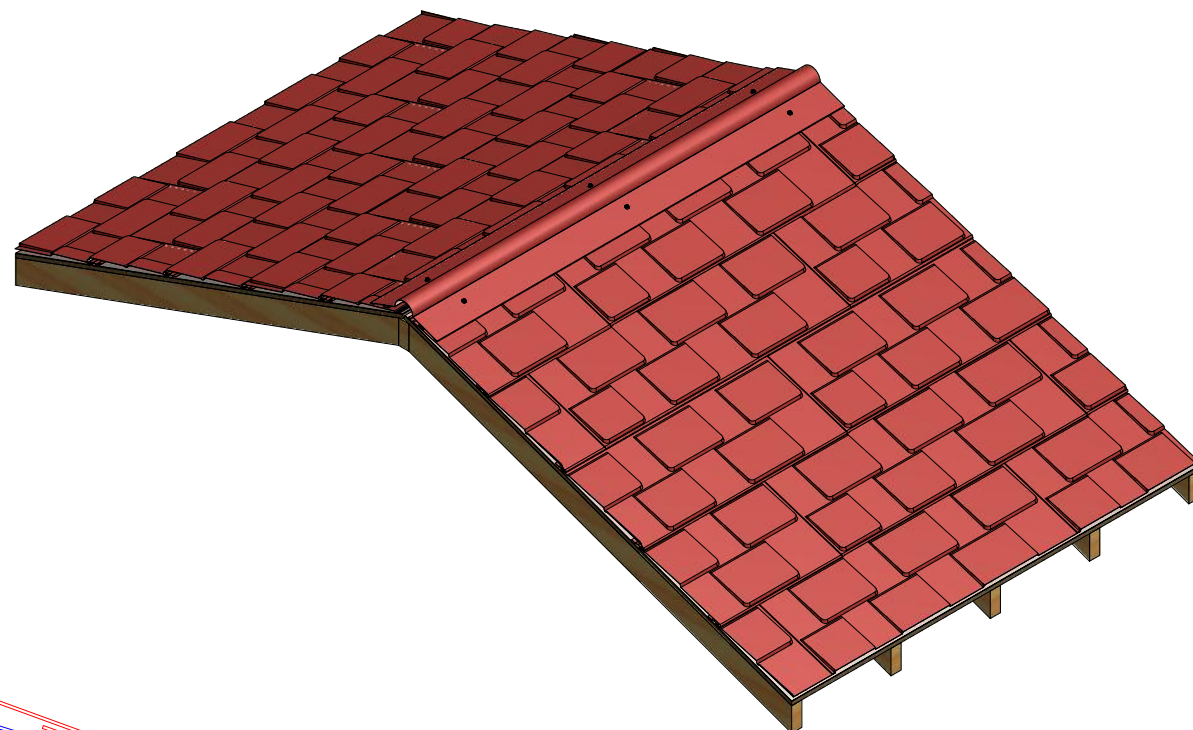


HSA303 - Rolled Hip Cap

Note: * denotes color side.


 ATAS INTERNATIONAL, INC Allentown PA 610-395-8445 Mesa AZ 480-558-7210	
TITLE Advanta Shingle Rolled Hip Detail	
DWG. NO.	DR KRK DATE 4/9/2018
MATERIAL	APP DATE
REV. NO.	SH. SIZE B SCALE X:X

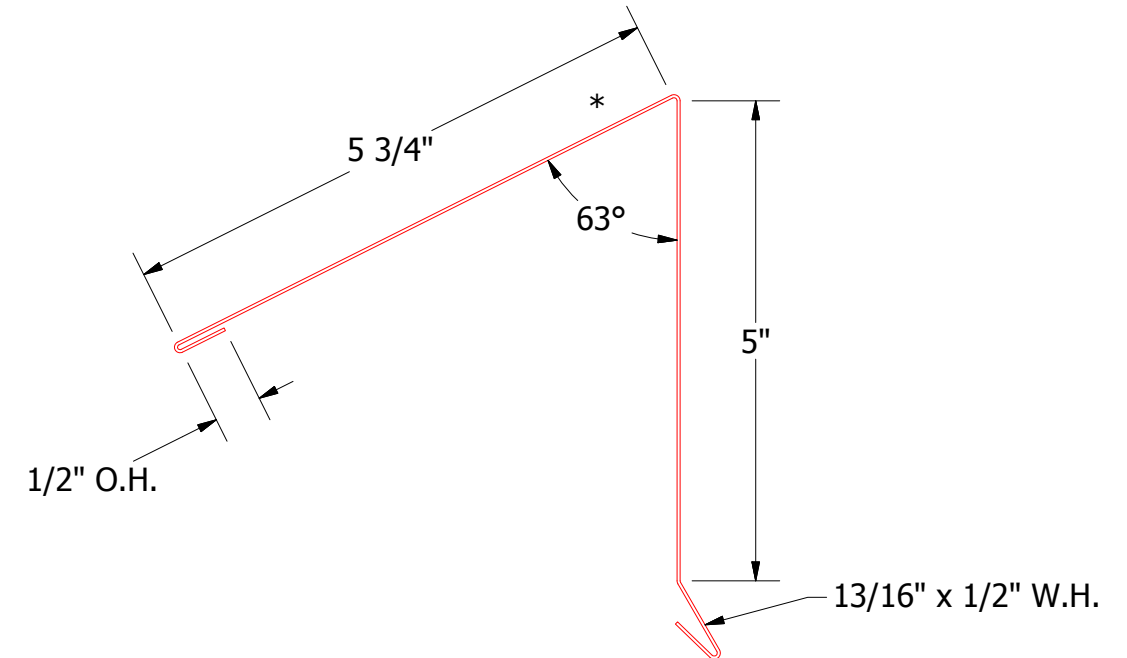
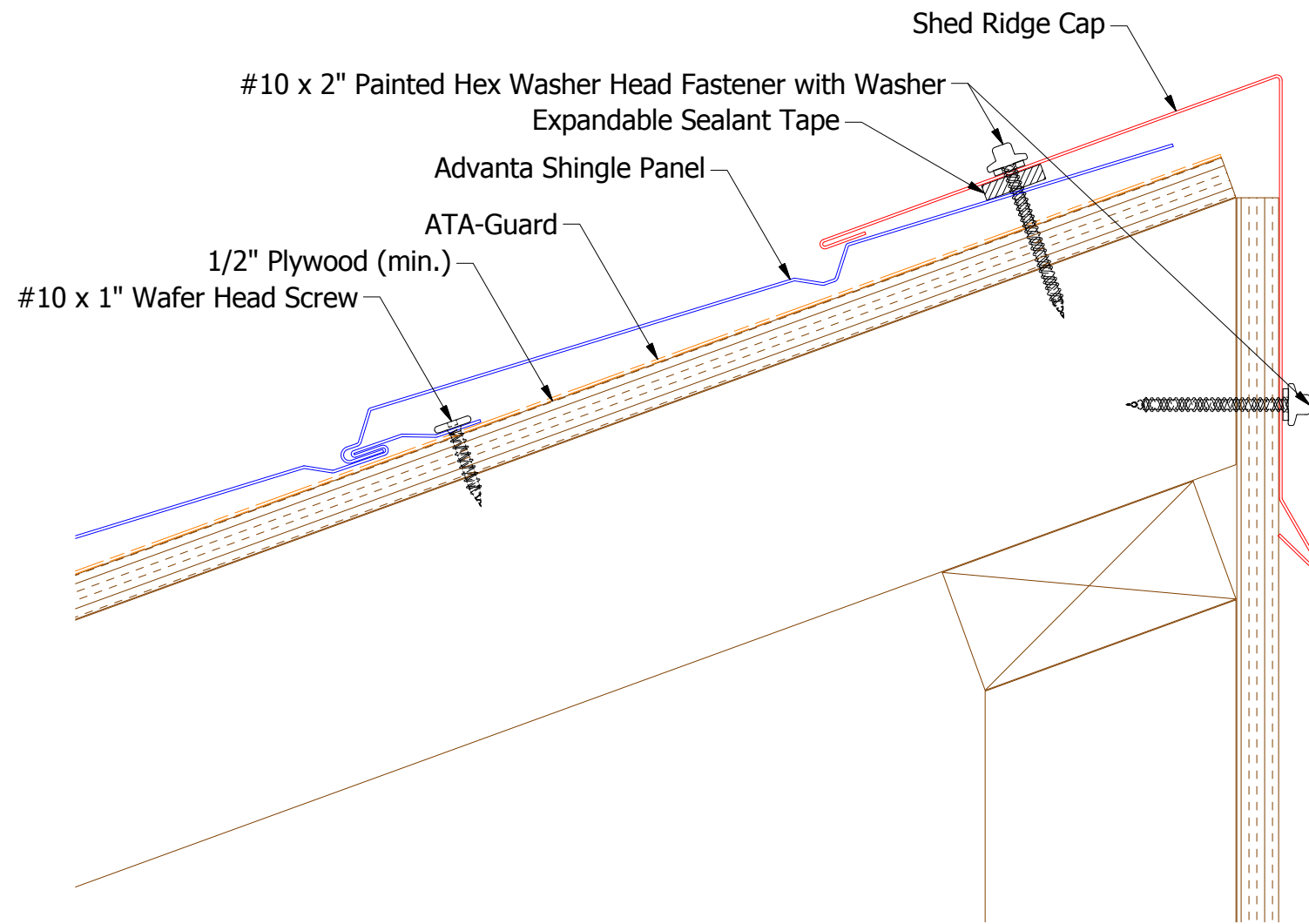
REV. NO.	DATE	DESCRIPTION OF REVISION	BY	APP



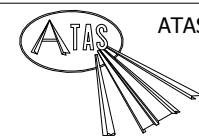
HSA303 - Rolled Ridge Cap

Note: * denotes color side.

 ATAS INTERNATIONAL, INC Allentown PA 610-395-8445 Mesa AZ 480-558-7210		TITLE Advanta Shingle Rolled Ridge Detail	
		DWG. NO.	DR KRK APP
REV. NO.	DATE	DESCRIPTION OF REVISION	BY APP SH. SIZE B SCALE X:X



HSA342 - Shed Ridge Cap

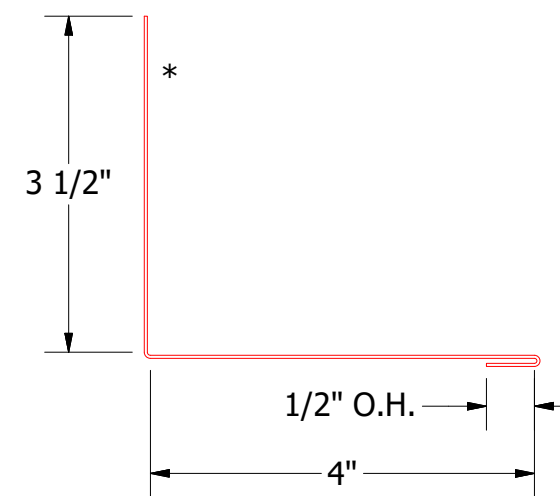
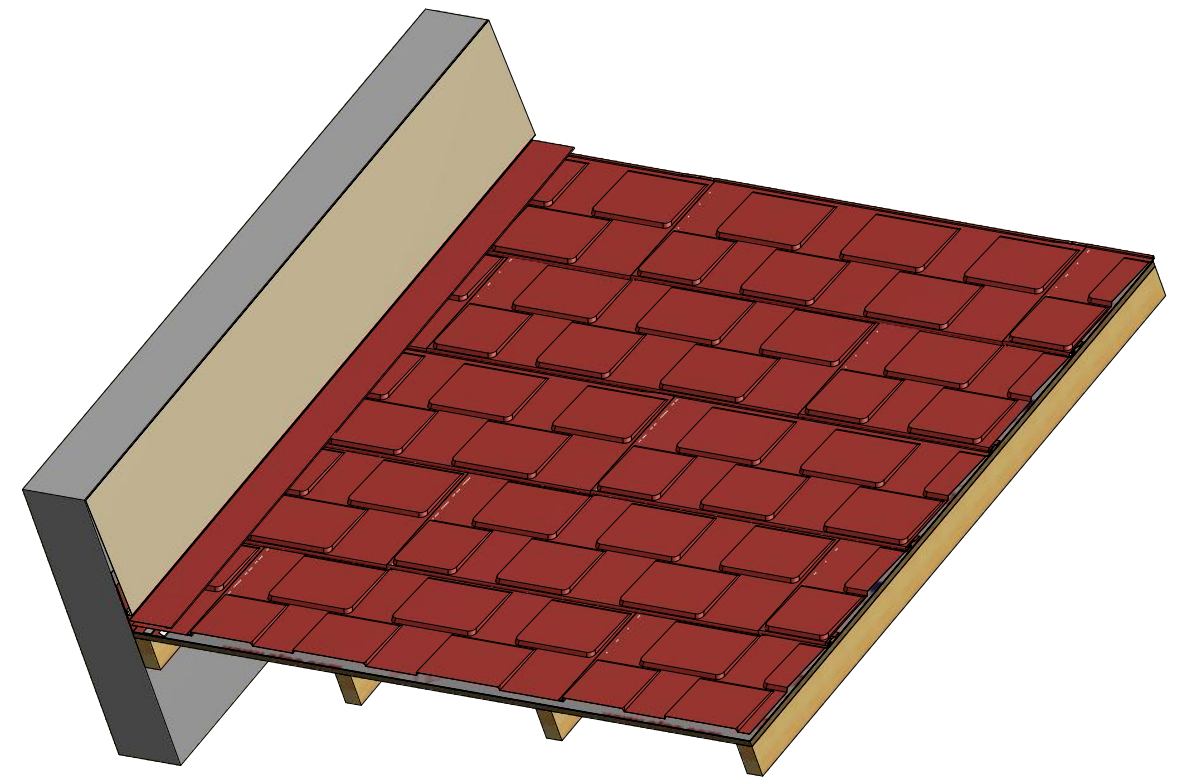
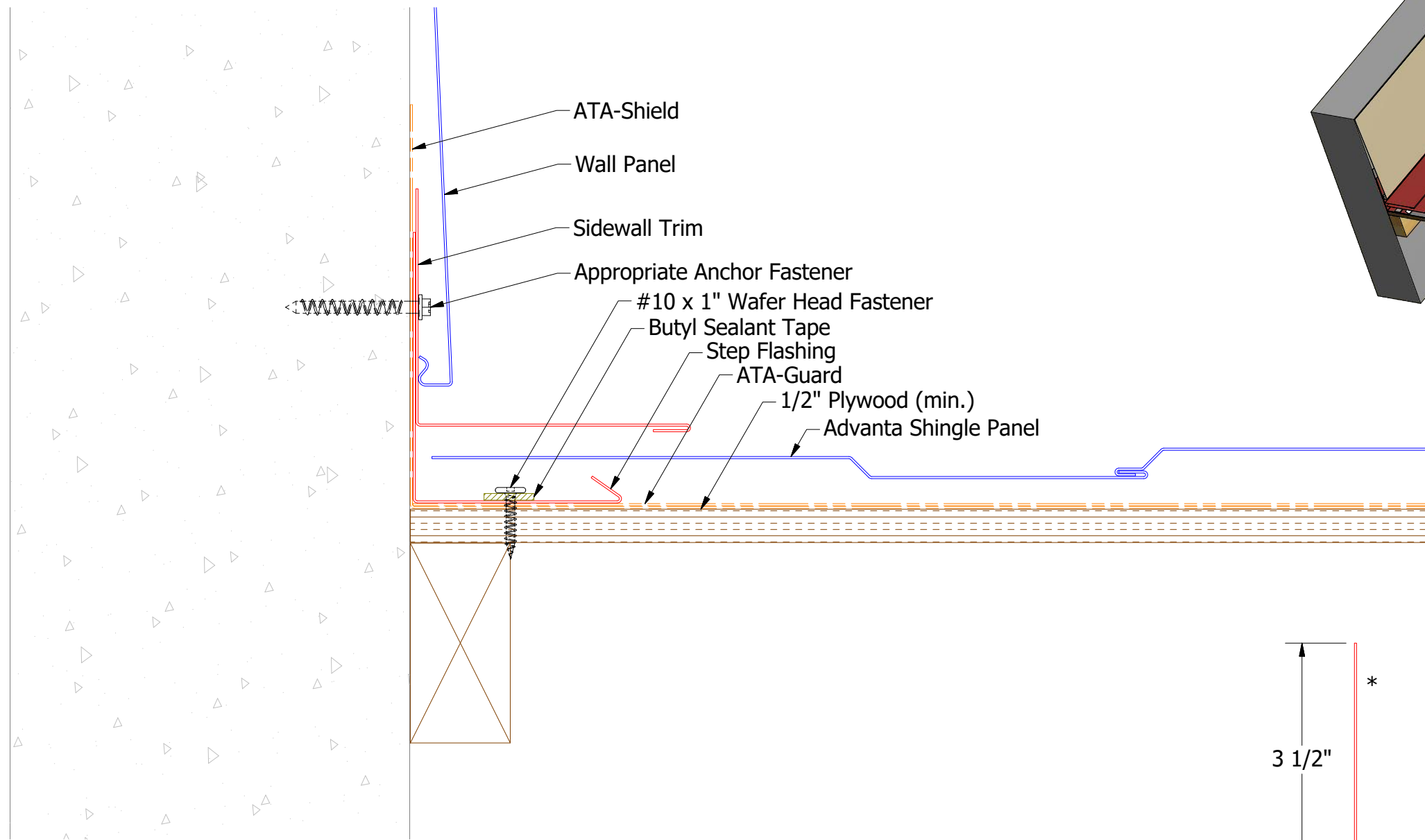


ATAS INTERNATIONAL, INC
 Allentown PA
 610-395-8445
 Mesa AZ
 480-558-7210

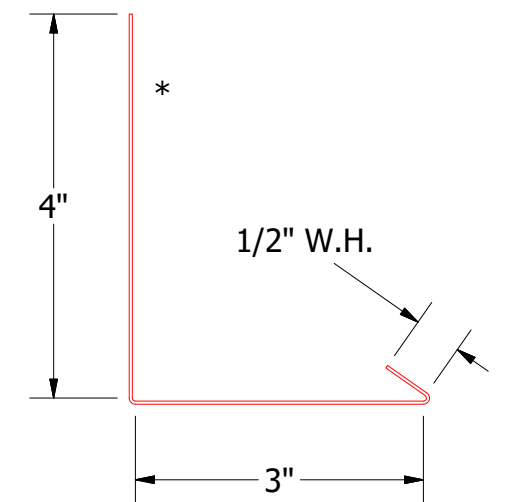
TITLE Advanta Shingle Shed Ridge Detail

REV. NO.	DATE	DESCRIPTION OF REVISION	BY	APP	DWG. NO.	DR	KRK	DATE	4/10/2018
						APP		DATE	
					MATERIAL	SH. SIZE	B	SCALE	X:X

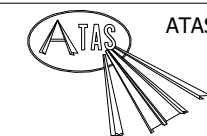
Note: * denotes color side.



HSA411 - Sidewall Trim



HSA440 - Step Flashing



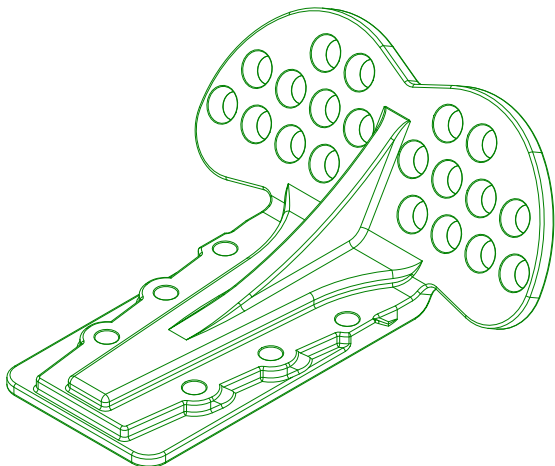
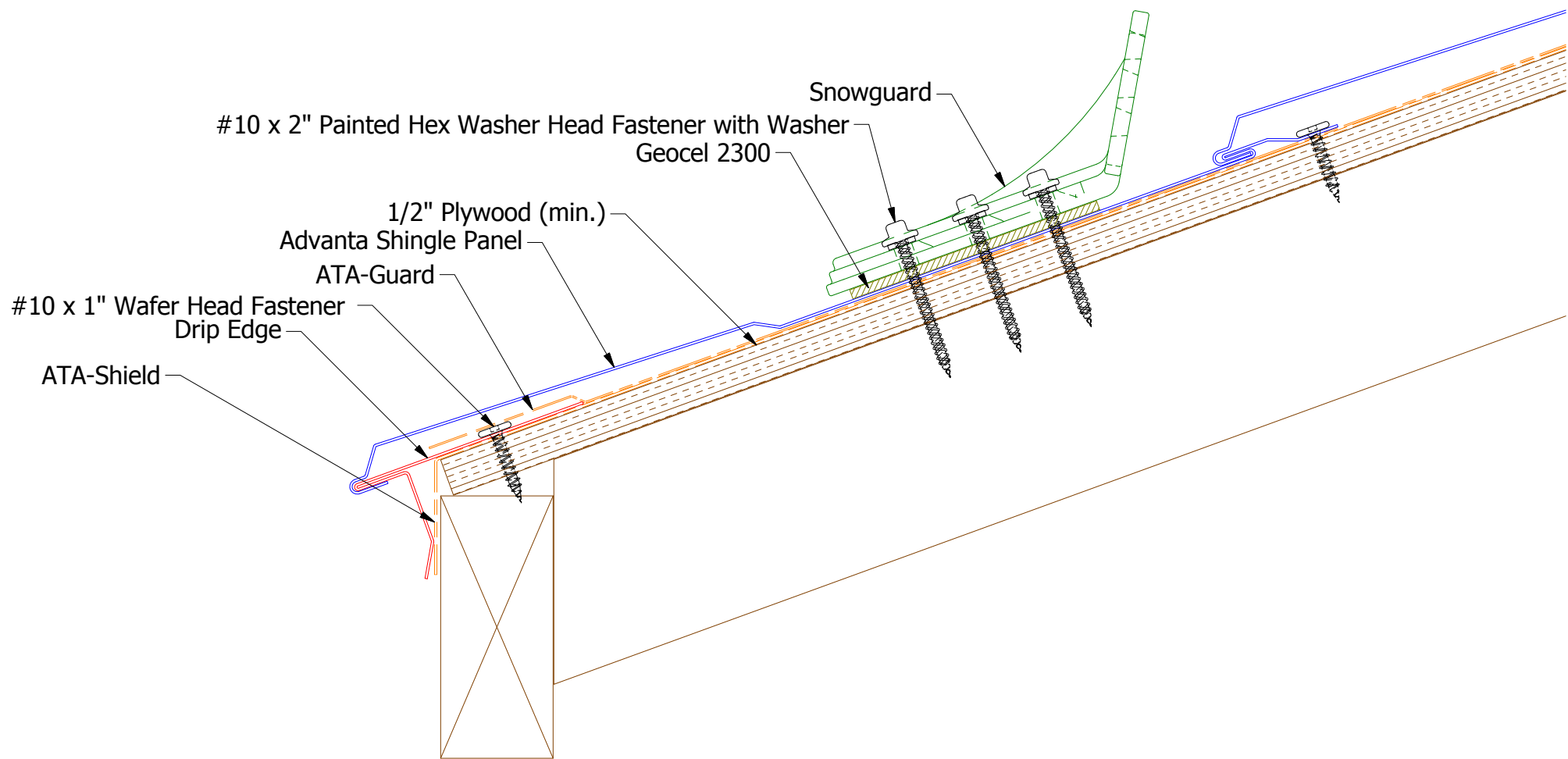
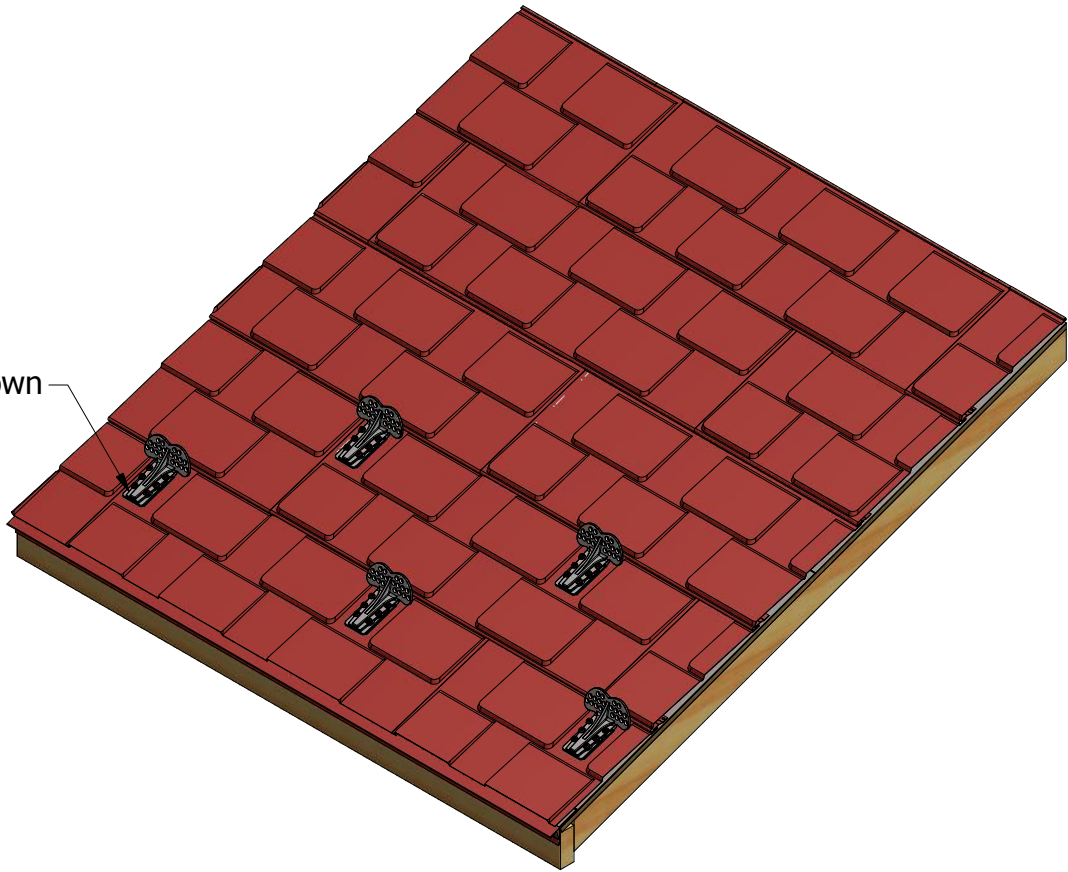
ATAS INTERNATIONAL, INC
 Allentown PA
 610-395-8445
 Mesa AZ
 480-558-7210

TITLE Advanta Shingle Sidewall Detail

01	10/13/2020	Updated Sidewall Channel to Step Flashing	KRK	DR	KRK	DATE	4/11/2018
REV. NO.	DATE	DESCRIPTION OF REVISION	BY	APP	MATERIAL	SH. SIZE	B
						SCALE	X:X

Note: * denotes color side.

Install Snowguard at low point of the panel as shown



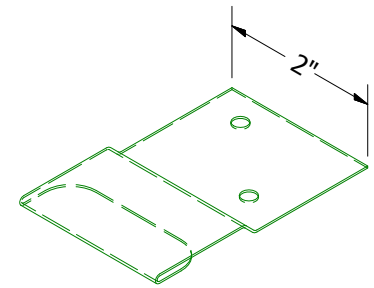
Snowguard

ATAS ATAS INTERNATIONAL, INC
 Allentown PA
 610-395-8445
 Mesa AZ
 480-558-7210

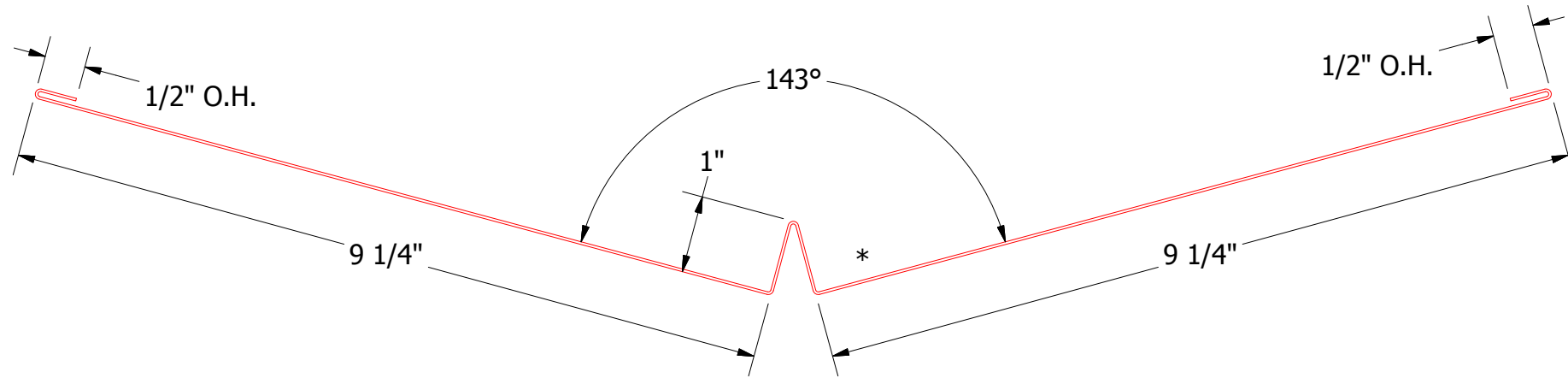
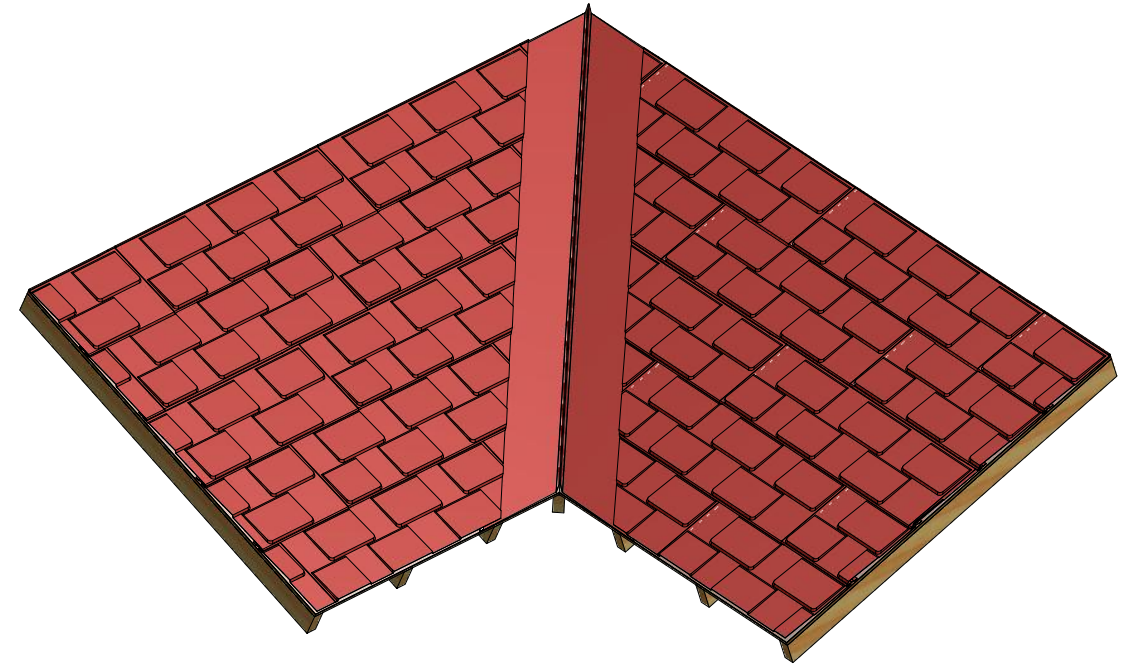
TITLE		Advanta Shingle Snowguard Detail	
DWG. NO.	DR	DATE	4/9/2018
	KRK	DATE	
MATERIAL	APP	SH. SIZE	B
		SCALE	X:X

REV. NO.	DATE	DESCRIPTION OF REVISION	BY	APP

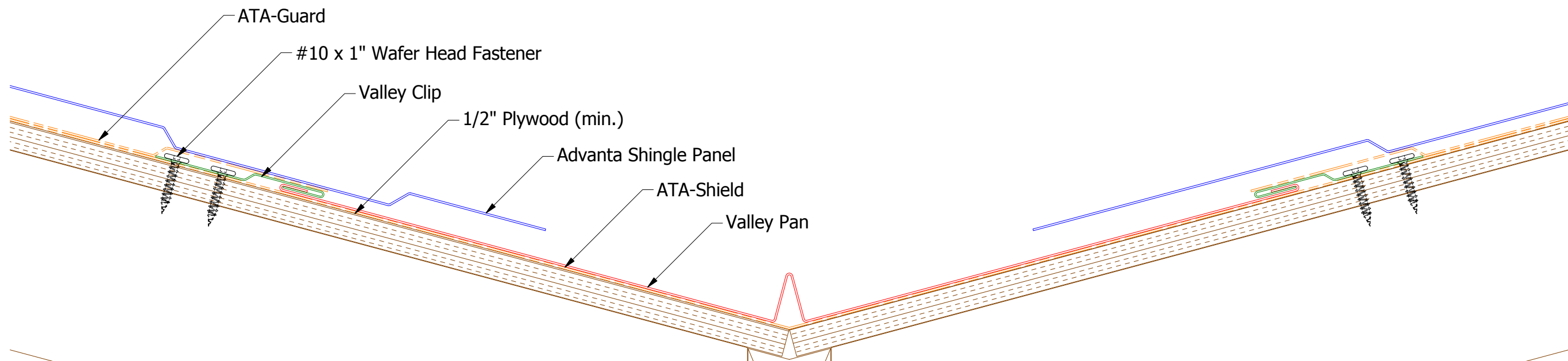
Note: Extend ATA-Shield above **ALL** Snowguards at a minimum.



HSC904 - Valley Clip



HSA806 - Valley Pan



ATA-Guard

#10 x 1" Wafer Head Fastener

Valley Clip

1/2" Plywood (min.)

Advanta Shingle Panel

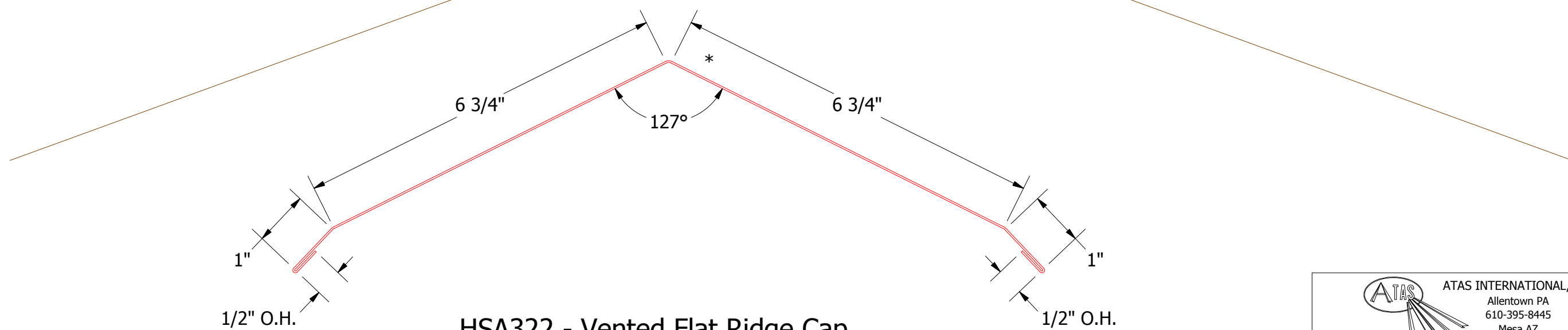
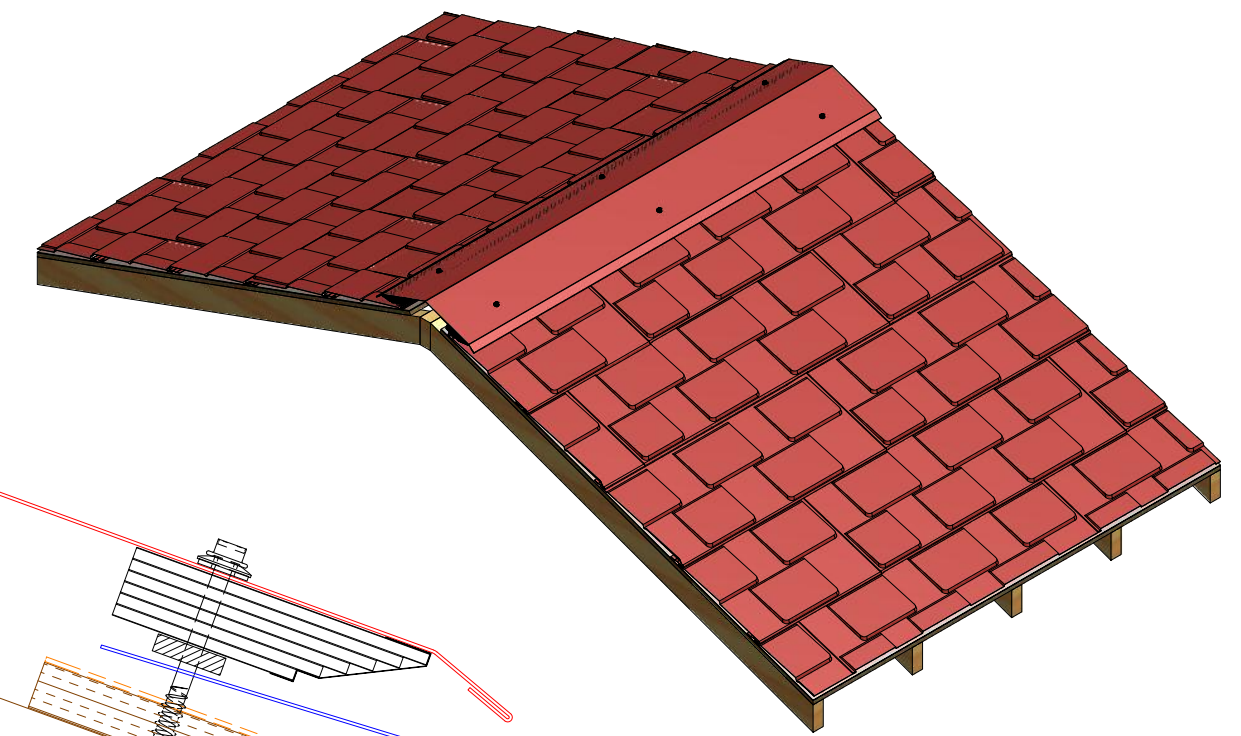
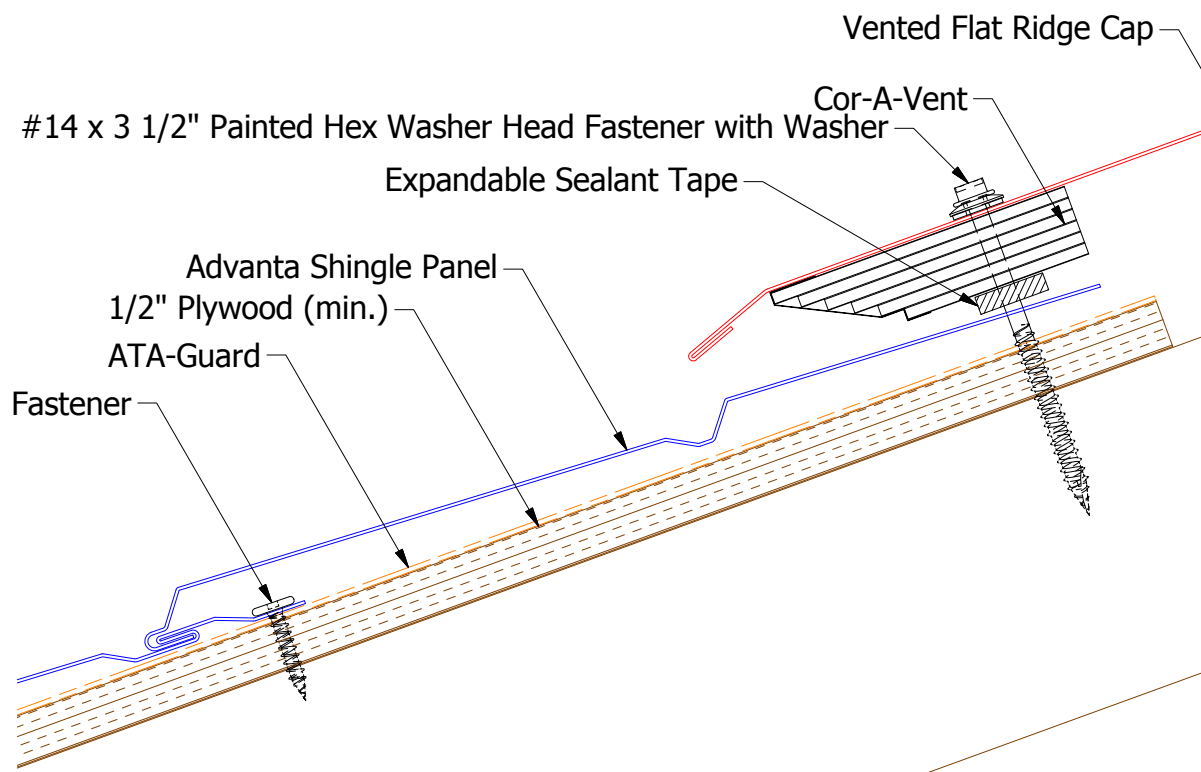
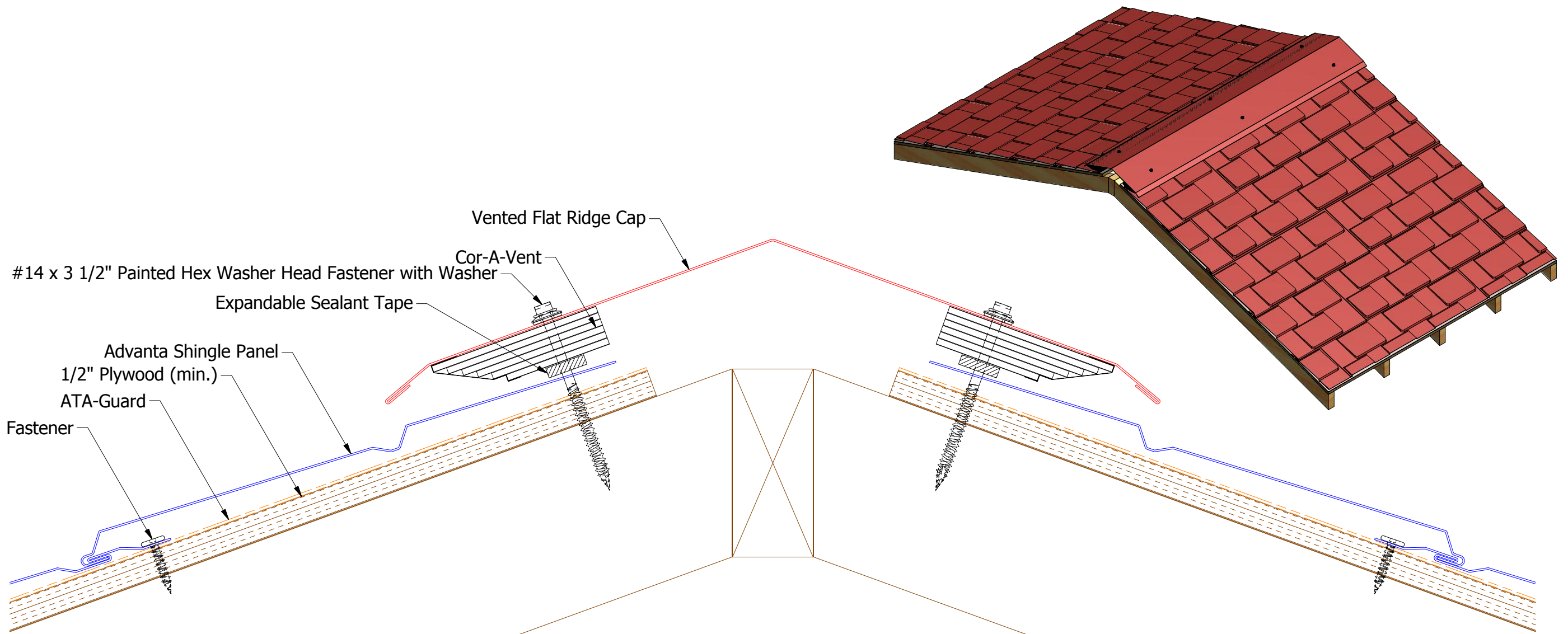
ATA-Shield

Valley Pan

Note: * denotes color side

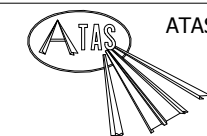

ATAS INTERNATIONAL, INC
 Allentown PA
 610-395-8445
 Mesa AZ
 480-558-7210

TITLE				Advanta Shingle Valley Detail			
DWG. NO.		DR		DATE		DATE	
		DMR		4/11/2018			
		APP		DATE			
MATERIAL				SH. SIZE		SCALE	
				B		X:X	
REV. NO.	DATE	DESCRIPTION OF REVISION	BY	APP			



HSA322 - Vented Flat Ridge Cap

Note: * denotes color side.

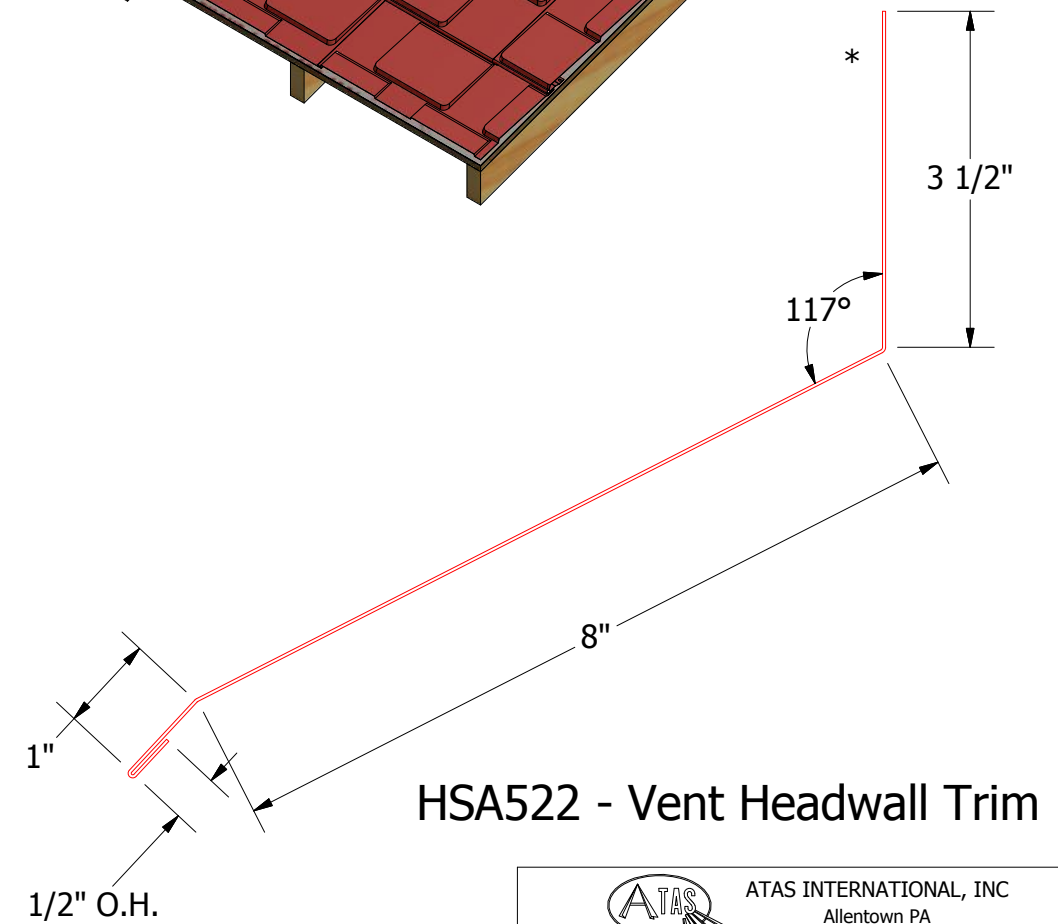
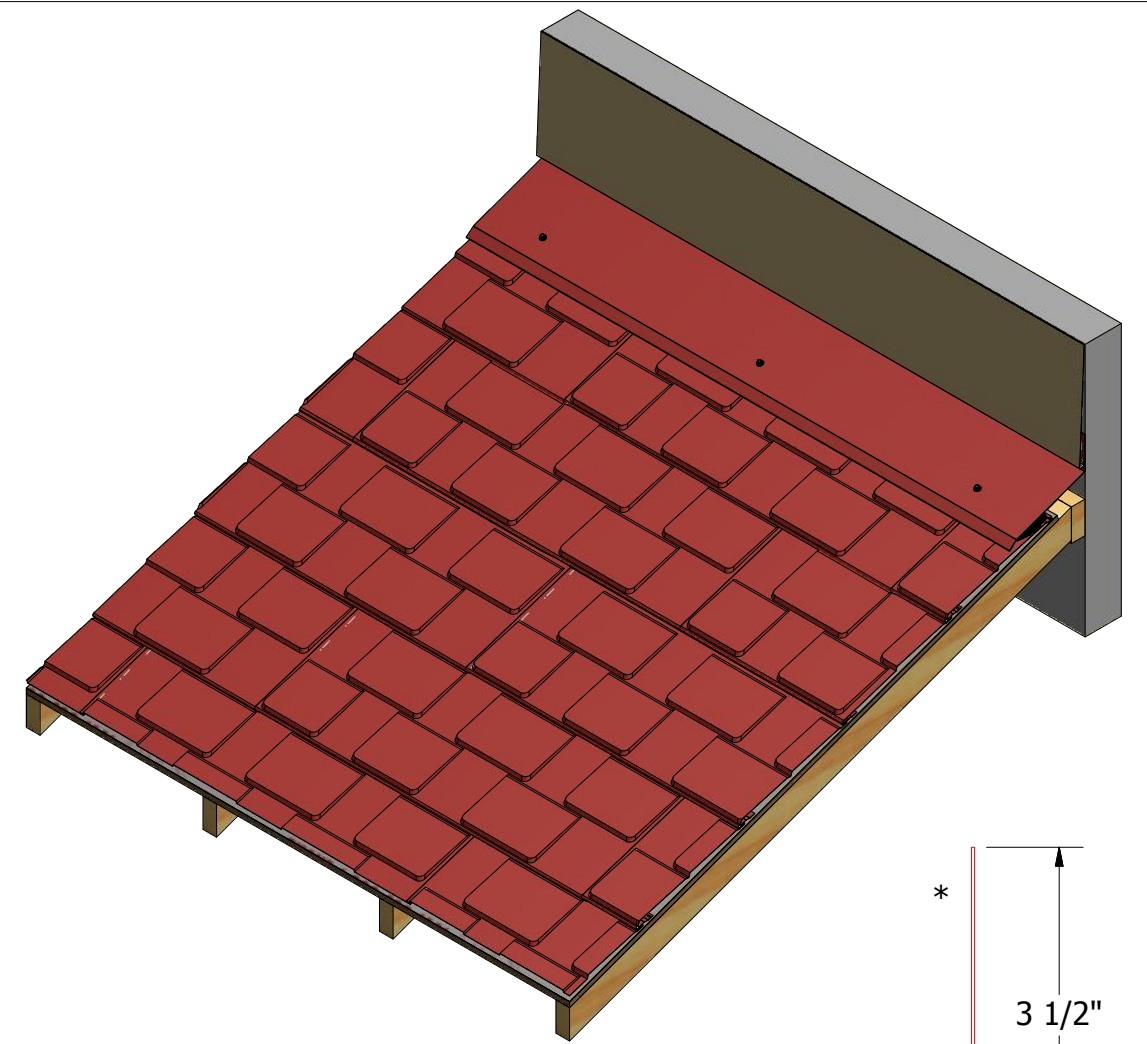
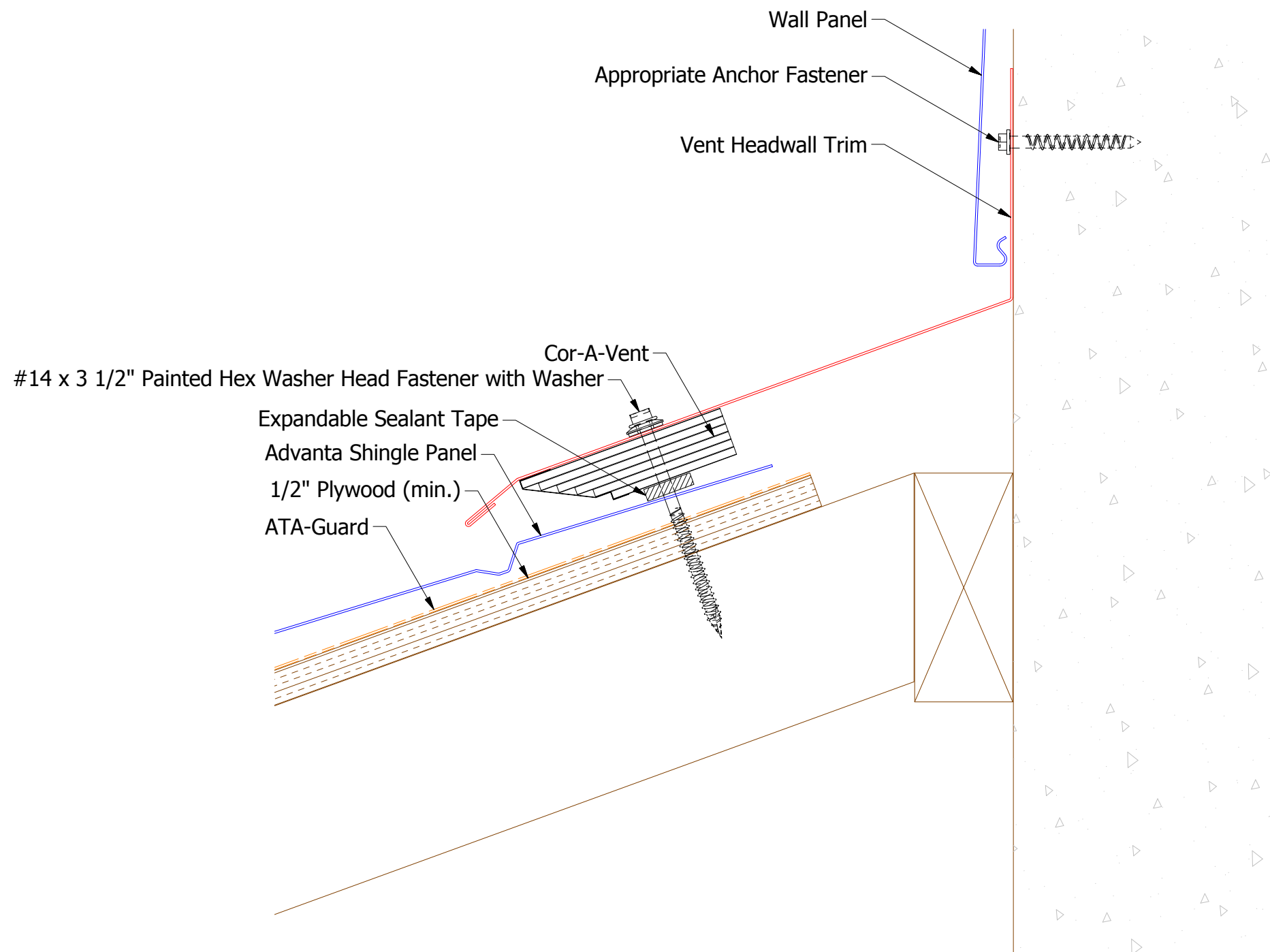


ATAS INTERNATIONAL, INC
 Allentown PA
 610-395-8445
 Mesa AZ
 480-558-7210

TITLE
Advanta Shingle Vented Flat Ridge Detail

DR	KRK	DATE	4/9/2018
APP		DATE	
SH. SIZE	B	SCALE	X:X

REV. NO.	DATE	DESCRIPTION OF REVISION	BY	APP



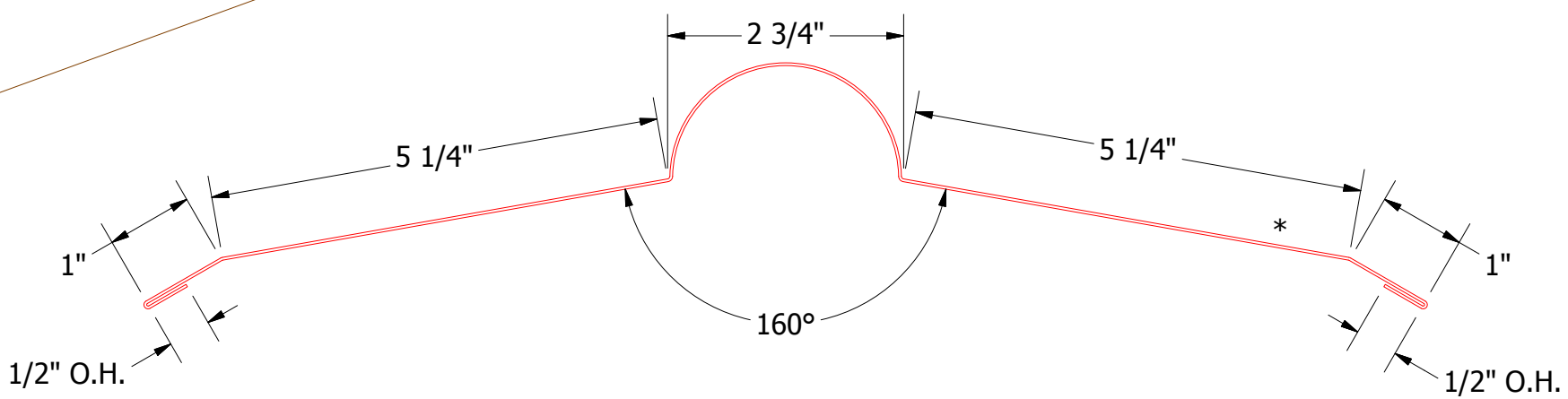
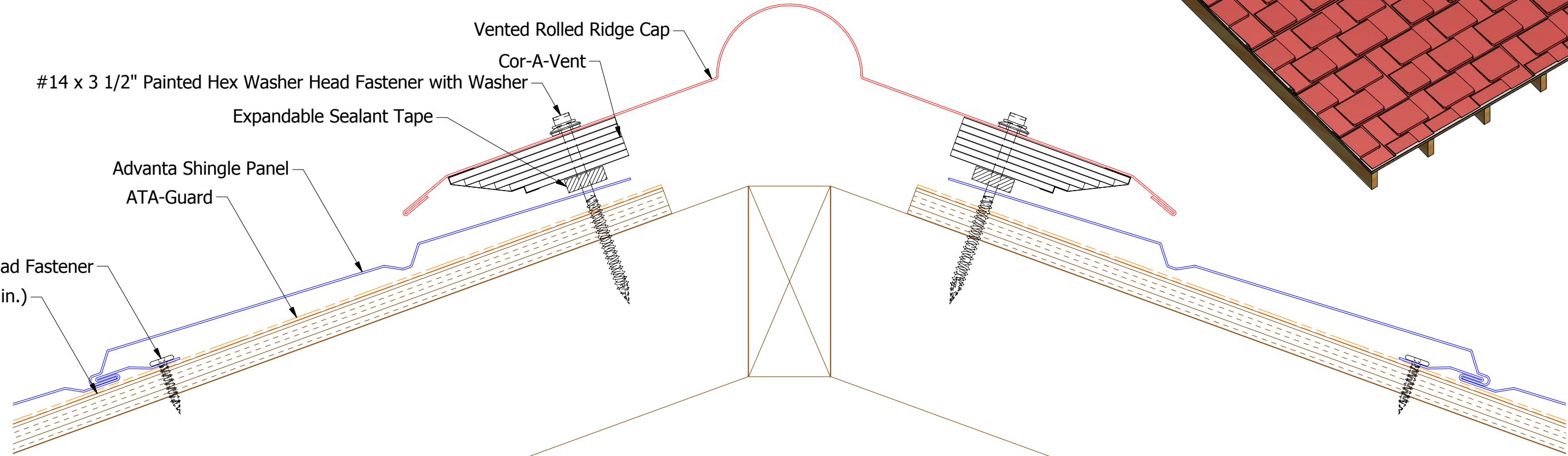
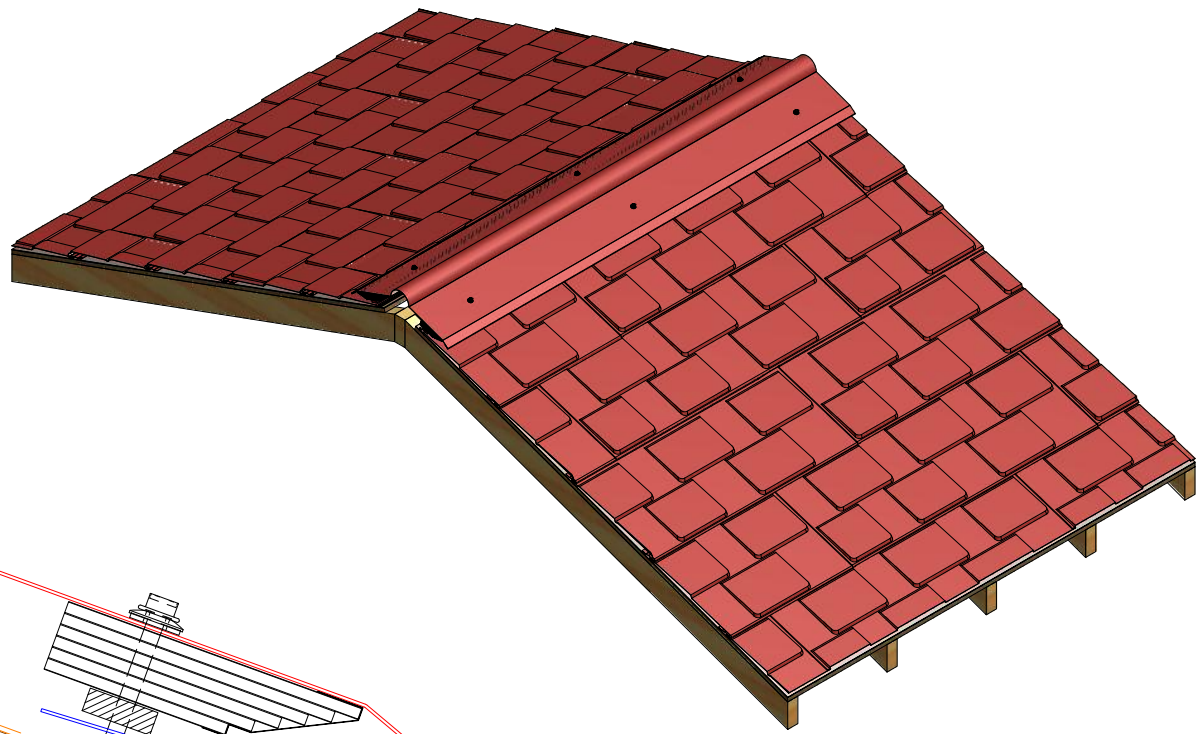
HSA522 - Vent Headwall Trim

ATAS ATAS INTERNATIONAL, INC
 Allentown PA
 610-395-8445
 Mesa AZ
 480-558-7210

TITLE
Advanta Shingle Vented Headwall Detail

REV. NO.	DATE	DESCRIPTION OF REVISION	BY	APP	DWG. NO.	DR	DATE
						KRK	4/10/2018
					MATERIAL	APP	DATE
					SH. SIZE	B	SCALE
							X:X

Note: * denotes color side.



HSA324 - Vented Rolled Ridge Cap


ATAS INTERNATIONAL, INC
 Allentown PA
 610-395-8445
 Mesa AZ
 480-558-7210

TITLE		Advanta Shingle Vented Rolled Ridge Detail	
DWG. NO.	DR	DATE	4/9/2018
	KRK	DATE	
MATERIAL	APP	SH. SIZE	B
		SCALE	X:X

REV. NO.	DATE	DESCRIPTION OF REVISION	BY	APP

Note: * denotes color side.

